

# GROHE F-DIGITAL

PLANNING & INSTALLATION GUIDE

[www.grohe.com](http://www.grohe.com)



**GROHE**  
SPA





# GROHE F-DIGITAL

## **FLEXIBILITY FOR YOUR GROHE SPA™**

GROHE F-digital embraces wireless technology to bring design freedom and installation flexibility to the bathroom and kitchen.

Based on a modular concept, the battery-powered Digital Controller and Digital Diverter open up a world of planning opportunities. The collection is the only modular digital range on the market to offer coordinated products for all draw-off points and has already won a prestigious red dot 'best of the best' product design award.

On the following pages you will find planning suggestions with installation diagrams, created to highlight the adaptability of the collection, inspire the design and planning process and support the construction work flow.

GROHE F-digital: Wireless Control. Right on the button.



# WIRELESS TECHNOLOGY FULL FLEXIBILITY IN BATHROOM PLANNING AND DESIGN

From a single basin mixer to a complete spa bathroom, GROHE F-digital offers maximum design and planning freedom, thanks to the latest wireless technology.

Both the Digital Controller and the Digital Diverter are battery powered and can be positioned in the most convenient location for the user, as they are not connected directly to the mixing unit.

For basins, mixing units are available for both wall-mounted and deck-mounted faucet spouts. For the bathtub and shower, thermostatic mixing units with one outlet or three outlets enable you to realise any number of bath and shower combinations: from a single hand to shower to a complete custom shower with head shower, hand shower and side showers.

For an ergonomically-designed bathroom scheme choose GROHE F-digital. Now, the only limit is your imagination.



# AWARD-WINNING DESIGN

A single concept. Two products. Numerous interpretations. The modular design of the Digital Controller and Digital Diverter facilitates design coordination throughout the bathroom.

Based on a series of concentric rings, the design guides you to the point of interaction. And with just three buttons and a dial, using the controller is both intuitive and simple. The outer ring features textured detailing, ensuring maximum comfort and control of the water flow, even with wet or soapy hands.

The modular design, intuitive user interface and increased planning flexibility are just a few of the features which have led GROHE F-digital to winning several design prizes, including a red dot 'best of the best' 2011 award.



reddot design award  
best of the best 2011





BASIN SOLUTIONS



BATH TUB SOLUTIONS



SHOWER SOLUTIONS



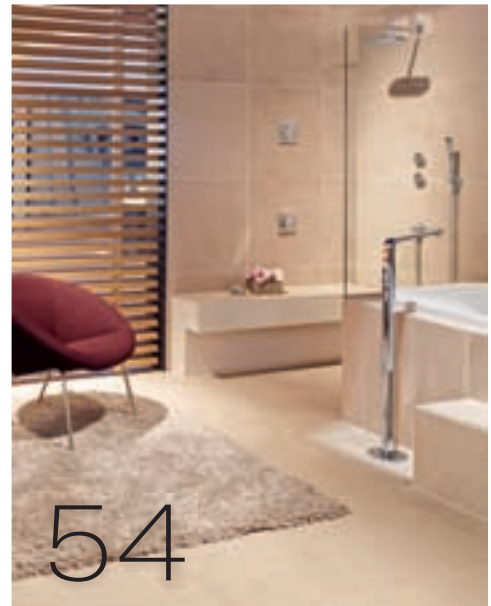
WC / BIDET SOLUTIONS



KITCHEN SOLUTIONS



SHOWROOM SOLUTIONS





# CONTENT

<b>Important Details</b>	10
<b>Work schedule</b>	12
<b>Enjoy GROHE F-digital</b>	
<b>Basin Solutions</b>	14
<b>Bathtub Solutions</b>	22
<b>Shower Solutions</b>	34
<b>WC / Bidet Solutions</b>	46
<b>Kitchen Solutions</b>	50
<b>Showroom Solutions</b>	54
<b>Product Overview</b>	58
<b>GROHE Veris F-digital</b>	60
<b>GROHE Allure F-digital</b>	64
<b>GROHE F-digital Showers</b>	68
<b>GROHE K7 F-digital</b>	70
<b>Features &amp; Benefits</b>	72
<b>Recommended Installation Heights</b>	74

# IMPORTANT DETAILS!

Please read the following notes before planning and installing a GROHE F-digital bathroom project!

## **COORDINATION IS THE KEY**

It has proven useful to name a project supervisor before beginning construction. The supervisor is responsible for planning the individual installation steps and coordinating the different tasks. This can be the plumber but equally a house technician, planner or architect. A detailed construction flow plan can be found on page 13.

Before the start of construction, the water supply and drain pipes, electric connection and cables must be planned and laid-out. Sufficient dimensions must be ensured – refer to the planning examples.

## **BE FAMILIAR WITH THE KEY INSTALLATION NOTES & REGULATIONS**

Before work commences, the project supervisor must be familiar with the general installation notes for GROHE F-digital as well as the country-specific regulations concerning construction work, plumbing and electric installation. Most of the key rules and regulations are described hereafter– please refer to the table of contents on page 9.

## **INSPECT THE INSTALLATION SIDE**

Digitally-operated faucets need a specific constant environment, in terms of constant water pressure, constant water supply and a stable power supply in order to ensure 100% functionality. The hot water supply needs to be above 50°. In some cases, additional installation devices such as pressure reducing valves or pumps are required to balance variations of water pressure. The max. pressure difference between hot and cold supply must not exceed 0,2 MPa. Make sure that the type of wall or ceramic finish is suitable for wireless transmission, e.g. metal or stainless steel plates could cause transmission disturbances.

It is not recommended to use GROHE F-digital in combination with instantaneous heaters or unpressurised storage heaters.

## **COLLABORATE WITH QUALIFIED ELECTRICIANS**

Handling of electric cables in wet rooms can be hazardous. Such work may only be performed by qualified electricians. All products of GROHE F-digital must be connected via a dedicated circuit which is secured by an appropriate ground fault circuit interrupter (FI)!

## **CHECK IF ALL WORK IS DONE AND CALIBRATE THE SYSTEM TO LOCAL CONDITIONS**

After completion of all work, the pipes must be flushed, pressurized and checked for leaks. Next, the functionality of the fixture must be checked. After successful completion of the functionality test, the fixture has to be calibrated in accordance with the customer's requirement. A calibration of the faucets is also obligatory in order to compensate possible deviations in the installation parameters at the construction site. The calibration steps are described in detail in the Technical Product Information (TPI) provided with the product.









## **INSTRUCT THE CUSTOMER**

When the completed bathroom is presented, the customer should be instructed in its use and receive a copy of the Technical Product Information.



# WORK SCHEDULE



CONSECUTIVE STEPS	CONSTRUCTION ACTIVITY	EXECUTIVE TRADE	PAY ATTENTION TO
1	Completion of the enclosing structure.	Execution by the building contractor or dry-wall building contractor in accordance with the planning.	Check execution in accordance with the planning.
2	Production of slotting for wiring and piping, as well as production of niches.	only necessary if a concealed on-the-wall supply installation system is not planned	Check execution in accordance with the planning unless you undertake the work yourself.
3	Installation of the supporting frames for the sanitary items.	Optional. Execution by the plumbing contractor.	
 4	Installation of drain piping.	Execution by the plumbing contractor.	Check the capacity of drain piping according to the number of outlets being planned.
 5	Installation of water pipes and empty conduits.	Execution by the plumbing contractor.	Water pipes must be placed in such a way that the mounting areas of sanitary objects are avoided. Remember to pull the wiring of the digital mixing units through the empty conduits and then check correct functioning of this wiring.
 6	Installation of the GROHE F-digital fitted components and digital function units.	Execution by the plumbing contractor.	Make sure that the digital mixing unit is installed in a dry and frost-protected area.
 7	Installation of the electrical wiring.	Execution by the electrician.	Check the position of socket outlets. Ensure that each socket is connected to a separate circuit with own earthleakage circuit-breaker.
 8	Production of masonry and facing walls.	Execution by the building, dry-wall building and/or tiling contractor.	Check execution in accordance with the planning, especially the correct position and dimensions of niches. Easy and safe access to the digital mixing units must be ensured.
9	Plaster rendering on the solid masonry walls.	Execution by the building contractor or plaster contractor.	Check execution in accordance with the dimensional tolerances applicable in building construction.
10	Installation of the screed topping.	Execution by the screed topping contractor.	Check execution in accordance with the dimensional tolerances applicable in building construction.
11	Installation of tile doors.	Execution by the dry-wall building, tiling or plumbing contractor in accordance with the planning.	Check execution in accordance with your specifications unless you undertake the work yourself.
12	Sealing of the building structure.	Execution by the tiling or roofing contractor.	Hand over the sealing components of the GROHE F-digital products to the contractor before work starts and instruct the contractor's personnel.
13	Installation of bath and shower tubs.	Optional. Execution by the plumbing contractor.	Hand over the GROHE F-digital sealing components to the contractor before work starts and instruct the contractor's personnel.
14	Production of solid masonry walls supporting bath and shower tubs.	Optional. Execution by the tiling contractor.	Check execution in accordance with your specifications unless you undertake the work yourself.
 15	Installation of wall and floor coverings.	Execution by the tiling, painting, stonework or parquetry contractor.	Check execution in accordance with the dimensional tolerances applicable in building construction. Make sure that the type of wall or floor coverings supports wireless transmission.
16	Installation of the sanitary items.	Execution by the plumbing contractor.	Check execution in accordance with the dimensional tolerances applicable in building construction.
17	Final installation of the GROHE F-digital faucets.	Execution by the plumbing contractor.	Flush all pipes before final installation.
18	Final installation of the electrical parts.	Execution by the electrician.	The power pack should only be connected at this stage of work.
 19	Function tests.	Execution by the technical trades.	Calibrate the fixtures in accordance with the users' needs and requirements. Make sure that all service and shut-off valves are fully opened and the power circuit is connected.
 20	Instruction of the users.	All trades.	Show the users how to operate GROHE F-digital and its features and benefits.
21	Final acceptance / handover.	All trades.	Draw the users' attention to the importance of maintenance.



# ENJOY FLEXIBILITY BASIN SOLUTIONS



# GROHE F-DIGITAL SOLUTIONS FOR THE WASH BASIN





## TIPS FOR PLANNING & INSTALLATION

Two types of digital solution are available for basins: deck mounted and wall mounted. The deck-mounted solution comprises: Digital Controller, Digital Twin Valve Mixing unit (TVM) and faucet spout. The wall-mounted solution comprises: Digital Controller, concealed Digital Twin Valve Mixing Box (TVM-Box) and faucet spout. In both cases stop valves are not part of the product package and therefore must be ordered/installed separately.

Due to wireless technology the next Controller can be positioned anywhere. It does not need to be connected directly to the faucet spout. The distance between the TVM or TVM-Box and the Digital Controller should not be more than 5 metres (maximum range) The Digital Controller should be fixed to a surface to ensure easy operation. The Digital Controller is battery powered : 3x CR2450 (3V).

The TVM or TVM-Box must be installed in a dry and frost protected area. Both can be connected either with a 6V plug (65.790.000) or with a 6V built-in (36.078.000) power supply. The 6V plug requires a 230V socket. The appliance must be provided with a dedicated circuit secured by a ground fault circuit interrupter.

For safety reasons, both power supplies should not be positioned within the area of the TVM or TVM-Box. For aesthetic reasons, an additional recess for the outlet with a minimum dimension of 200 x 200 mm (WxH) is recommended.

The TVM and TVM-Box come with a 40 cm power cable. A 3 m extension cable (47 727 000) is available as an addition. Further extension beyond 6 m is not recommended due to technical reasons. This should be considered in the positioning of the power outlet.

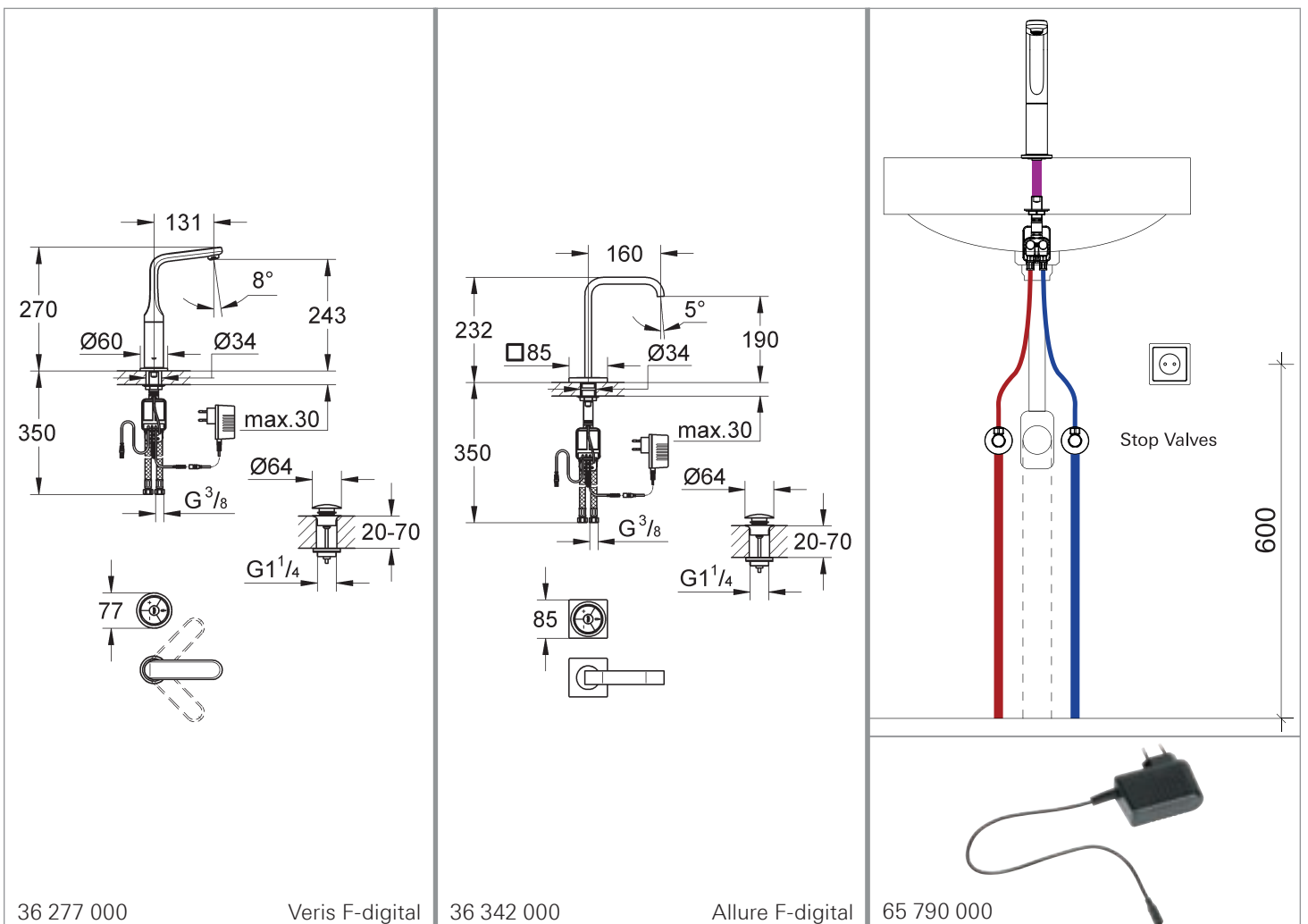
# GROHE F-DIGITAL WASH BASIN WITH DECK-MOUNTED SPOUT

For bathroom ceramics drilled with a single hole, choose the deck-mounted solution. Whether the basin is wall-mounted, counter-mounted or part of a larger piece of bathroom furniture, the digital mixing unit is small enough to fit below the ceramic. The Digital Controller is then fixed in the most convenient position for the user.

## VARIANT SPECIFIC PLANNING & INSTALLATION DETAILS

The deck-mounted solution comprises: Digital Controller, Digital Twin Valve Mixing unit (TVM) and faucet spout and 6V plug power supply.

The TVM is mounted to the threaded bolt of the faucet spout. Due to its compact size it easily fits underneath the ceramic.





# GROHE F-DIGITAL WASH BASIN WITH WALL-MOUNTED SPOUT

The digital solution for wall-mounted basin spouts is ideal for use with freestanding basins or counters with integrated basins – such as those made from composite materials or stone – where it is often not possible or desirable to drill holes. The basin spouts can be mounted at any height.

## VARIANT SPECIFIC PLANNING & INSTALLATION DETAILS

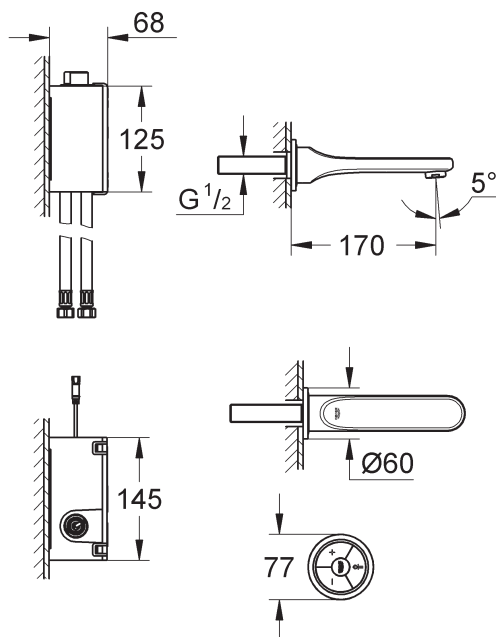
The wall-mounted solution comprises: Digital Controller, concealed Digital Twin Valve Mixing Box (TVM-Box), faucet spout and 6V plug power supply.

The concealed TVM-Box, should be installed in an accessible location for maintenance – either in the wall behind an access panel or in bathroom furniture below the basin.

The TVM-Box measures 145 x 125 x 68,5 mm (WxHxD) therefore a minimum size of 300 x 250 x 100 mm (WxHxD) for the revision opening is recommended.

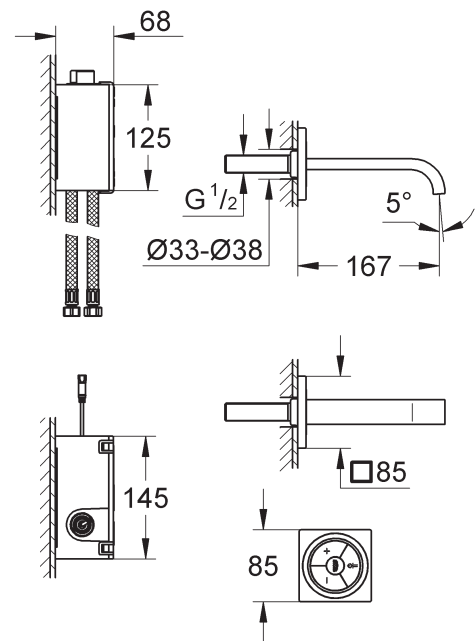
The housing of the TVM-Box is not waterproof. To avoid damage to the building structure by leaking water or water spilled during maintenance work, the revision floor should have a seal of 10cm height around its perimeter. Alternatively, a drainage connection may also be considered.

The TVM-Box can be mounted in any position (e.g. turned by 90° or 180°), as long as the cover is easily accessible.



36 278 000

Veris F-digital

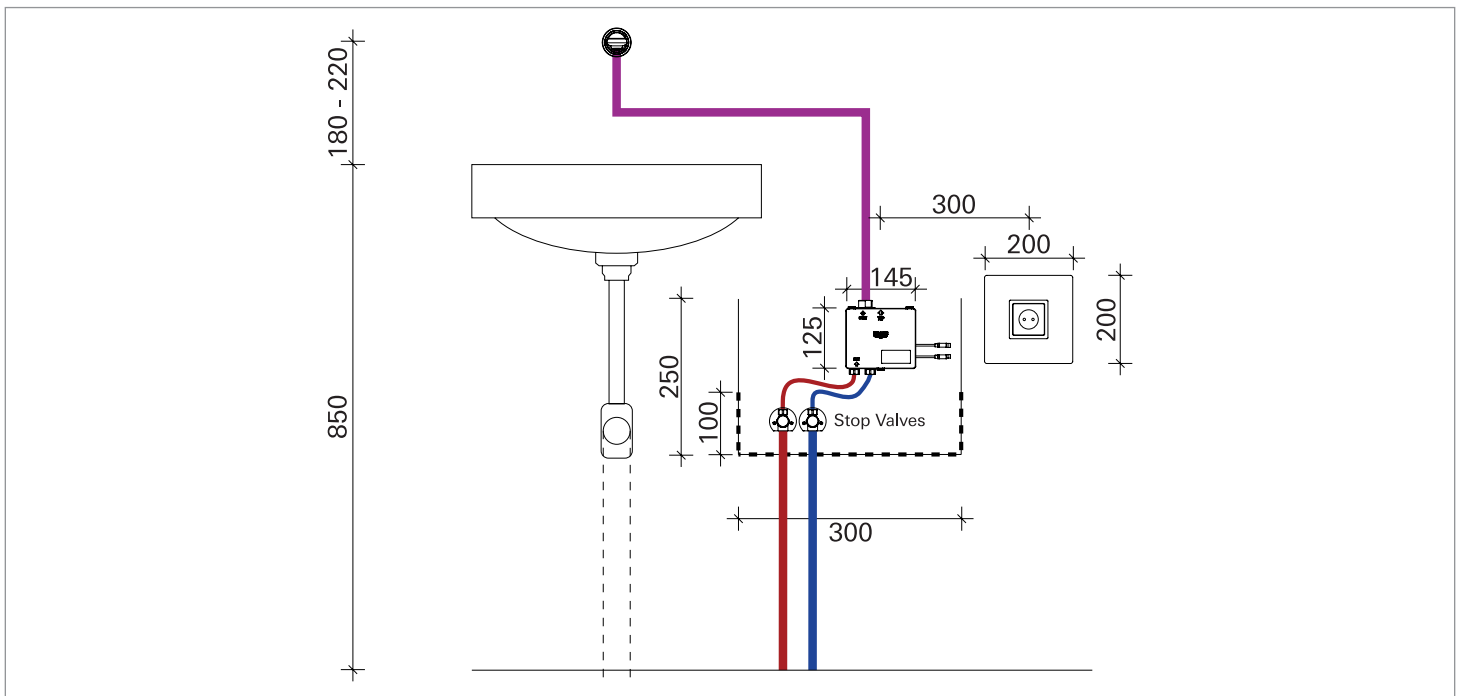


36 343 000

Allure F-digital

65 790 000



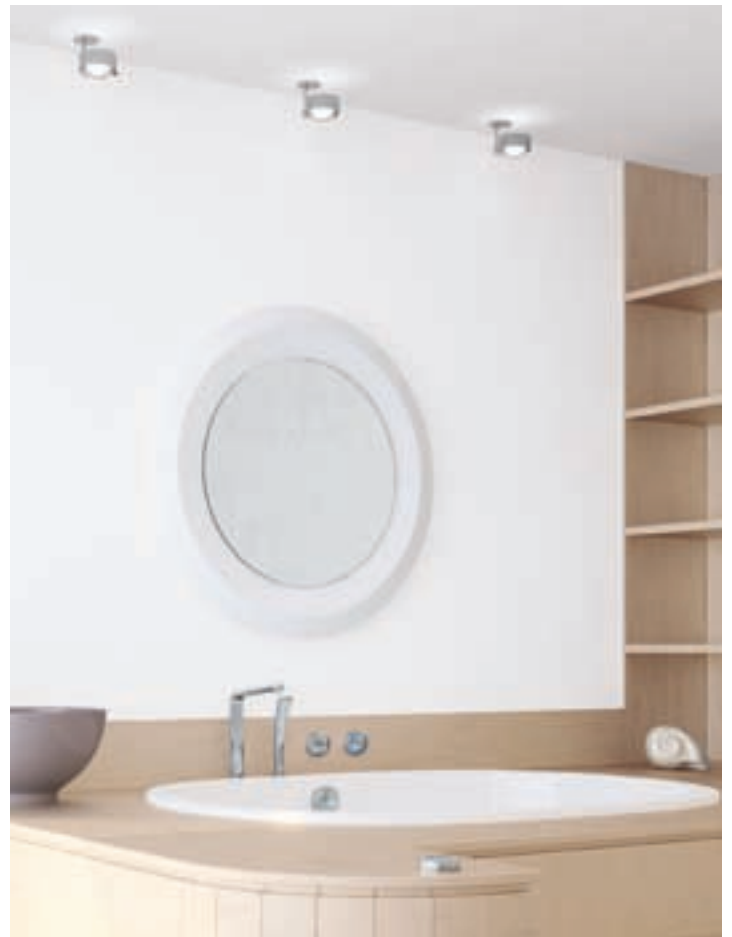
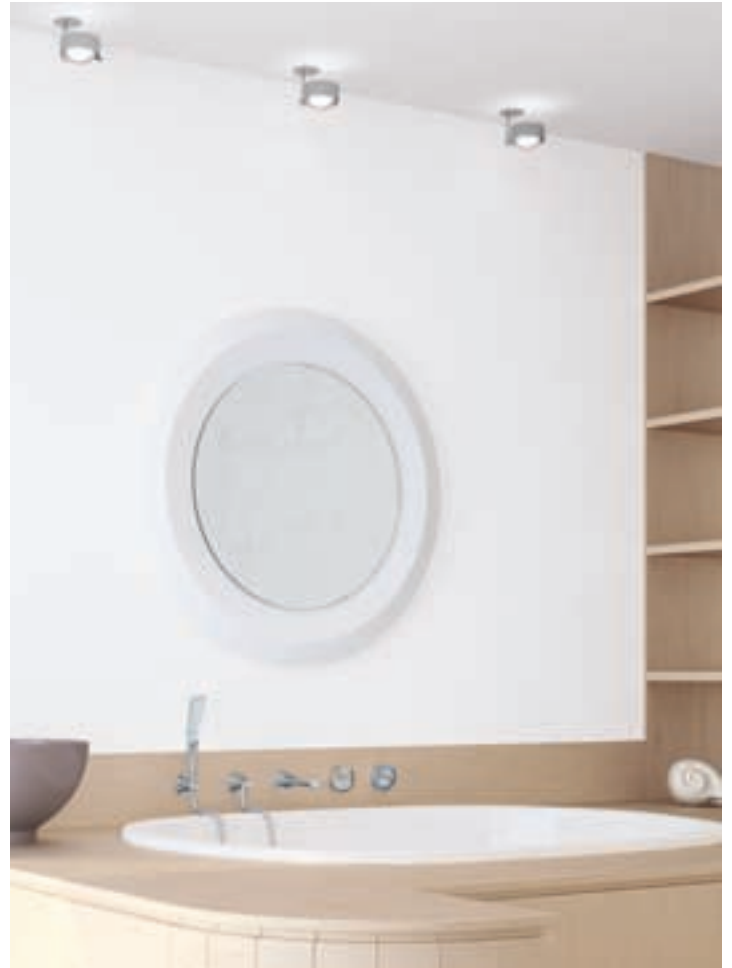




ENJOY FLEXIBILITY  
BATH SOLUTIONS



# GROHE F-DIGITAL THERMOSTATIC SOLUTIONS FOR THE BATHTUB





## TIPS FOR PLANING & INSTALLATION

For bathtub installations with a single water outlet (e.g. a bath spout) you will need a concealed Digital Thermostatic Mixing unit with one water outlet (THM-Box 1) and a Digital Controller.

For bathtub installations with two or three water outlets (e.g. a bath filler, hand shower and/or head shower) you will need a concealed Digital Thermostatic Mixing unit with three water outlets (THM-Box 3), a Digital Controller and a Digital Diverter.

The Digital Controller/Digital Diverter should be fixed to a surface to ensure easy operation. Both are battery powered: 3x CR2450 (3V).

The THM-Box 1/THM-Box 3 must be installed in a dry and frost protected area. Appropriate revision openings for the THM-Box can be located within the facing of on-the-wall type installation. In cases where on-the-wall installation is not feasible, appropriate revision openings need to be integrated within the existing construction wall. This type of installation can only be recommended for walls of min. 16 cm thickness. The revision opening can also be planned or realised within the wall of neighbouring rooms.

The THM-Box includes a transceiver device (Gateway) which is connected to the box by a 3 m cable. It is used to ensure optimum communication between the Digital Controller/Digital Diverter and the THM-Box. The distance between the Gateway and the Digital Controller/Digital Diverter should not be more than 5 m (maximum range). If the distance between the THM-Box and the Digital Controller/Digital Diverter is less than 5 m, the Gateway can be installed in the same revision opening as the THM-Box. If the THM-Box is located in a neighbouring room, it is recommended to place the Gateway next to the bathtub or inside bathroom furniture. If the surface of the tiles or wall contains metal or stainless steel the Gateway must not be installed behind.

The housing of the THM-Box is not waterproof. To avoid damage to the building structure by leaking water or water spilled during maintenance work, the revision floor should have a seal of 10 cm height around its perimeter. Alternatively, a drainage connection may also be considered.

The THM-Box can be mounted in any position (e.g. turned by 90° or 180°), as long as the cover is easily accessible. It can be connected either with a 6V plug (65 790 000) or with a 6V built-in (36 078 000) power supply. The 6V plug requires a 230V socket. The appliance must be provided with a dedicated circuit secured by a ground fault circuit breaker. For safety reasons both power supplies should not be positioned within the area of the THM-Box. Both THM-Boxes come with a 40 cm power cable. A 3 m extension cable (47 727 000) is available as an addition. Further extension beyond 6 m is not recommended due to technical reasons. This should be considered in the positioning of the power outlet.

# GROHE F-DIGITAL BATH TUB WITH FLOORSTANDING BATH SPOUT

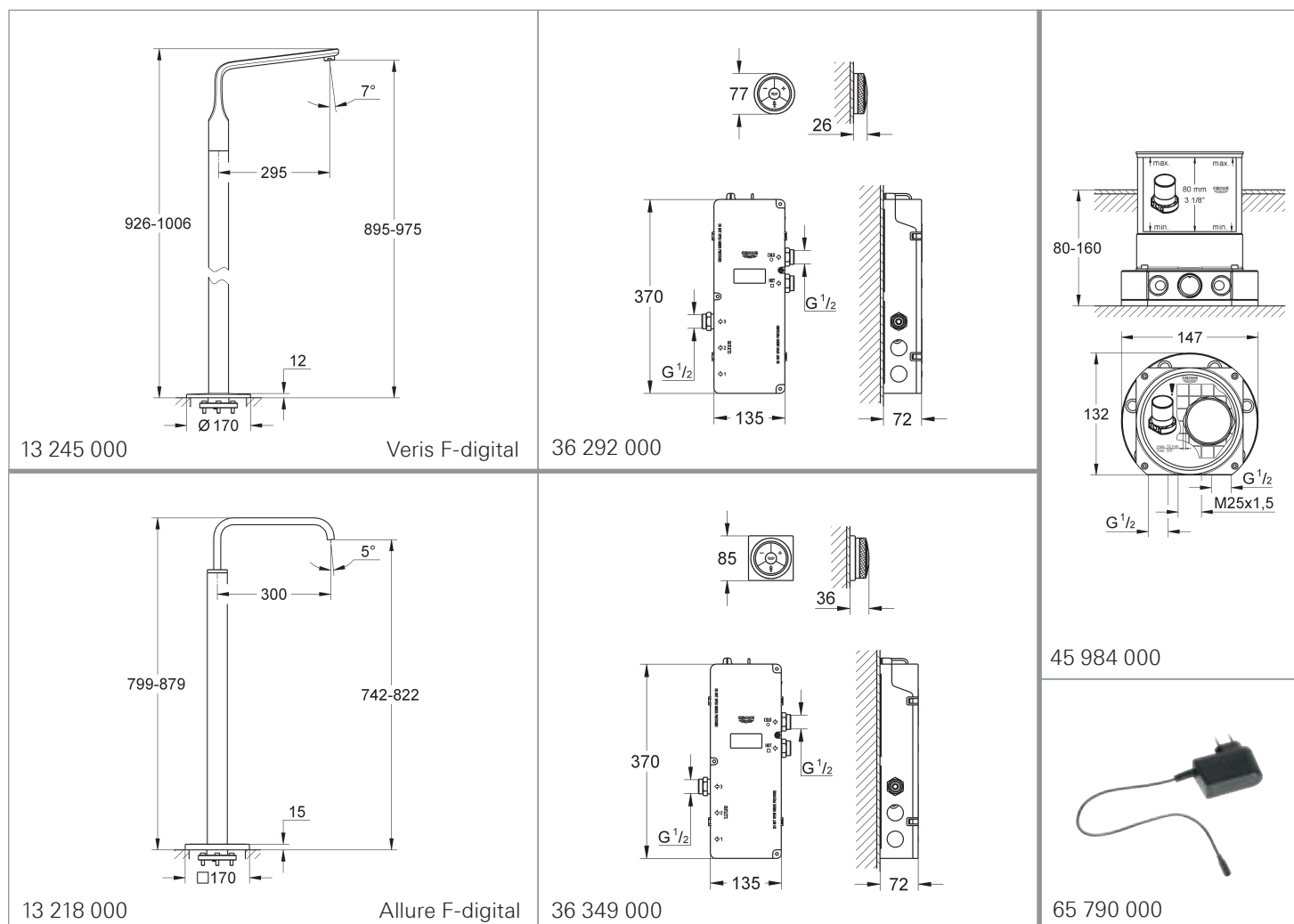
For bathtubs requiring only a single water outlet, such as a freestanding bath spout, GROHE F-digital provides a discreet solution. The simplicity and elegance of the bath spout creates a focal point in minimalist bathrooms, while the Digital Controller can be fixed either to the rim of the bathtub or a nearby wall or surface.

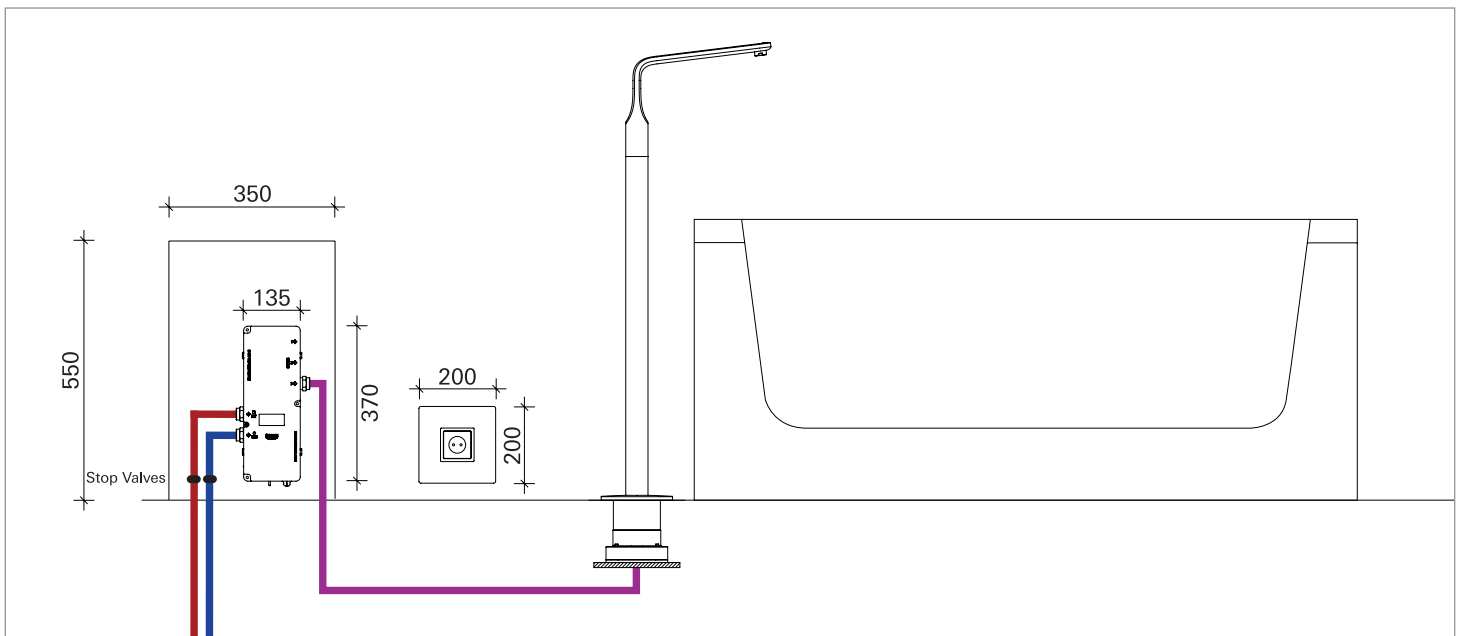
## VARIANT SPECIFIC PLANNING & INSTALLATION DETAILS

This single function bath application is controlled by the concealed Digital Thermostatic Mixing unit with one outlet (THM-Box 1) and the Digital Controller. The power supply (6V Plug or 6V built-in) need to be ordered separately.

Freestanding bathtubs can be perfectly combined with a floor-mounted bath spout – the Digital Controller allows greater flexibility in terms of installation point and overall bathroom design.

THM-Box 1 measures 135 x 370 x 72 mm (WxHxD), therefore a minimum size of WxHxD 350 x 550 x 100 mm for the revision opening is recommended.





# GROHE F-DIGITAL BATH TUB WITH WALL MOUNTED BATH SPOUT AND HAND SHOWER

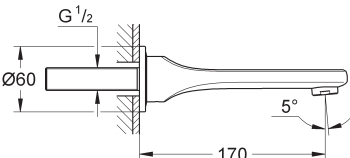
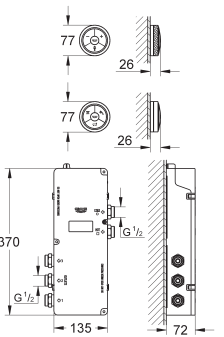
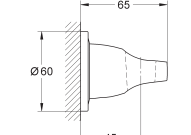
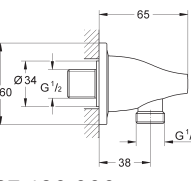
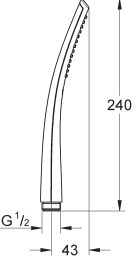
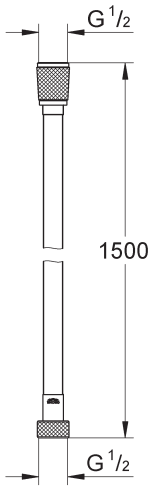
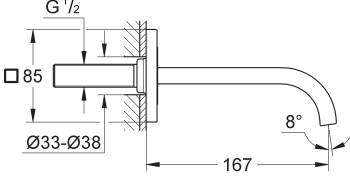
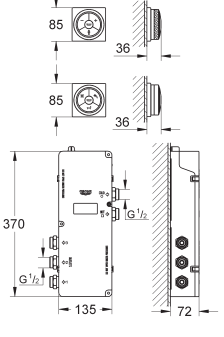
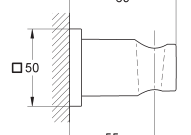
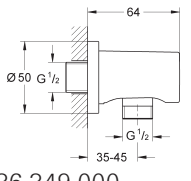
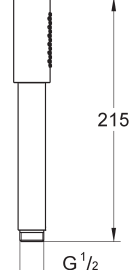
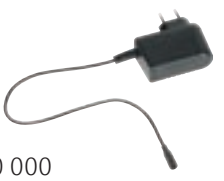
By pairing a wall-mounted bath spout with a wall-mounted hand shower, GROHE F-digital keeps the area around the bathtub clear. Both the Digital Controller and Digital Diverter can be fixed to the rim of the bathtub or on the wall.

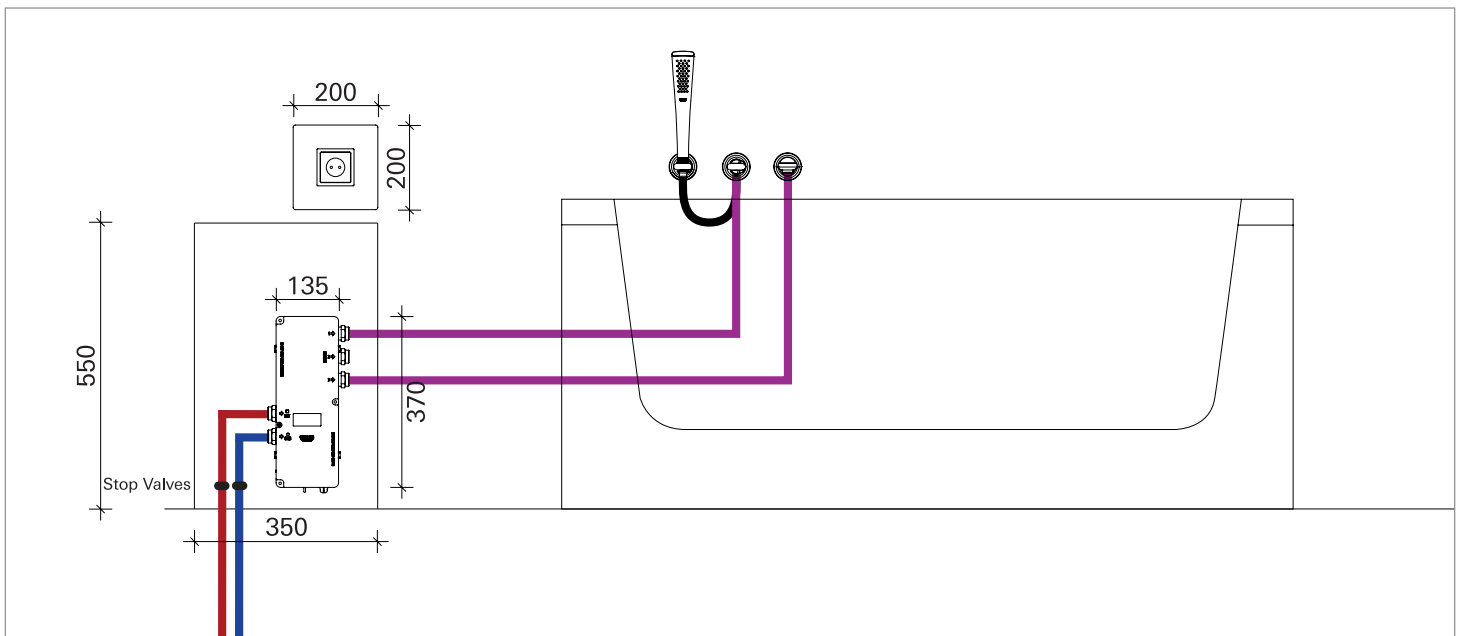
## VARIANT SPECIFIC PLANNING & INSTALLATION DETAILS

This two function bath application is controlled by the concealed Digital Thermostatic Mixing unit with three outlets (THM-Box 3), the Digital Controller and Digital Diverter. The power supply (6V plug or 6V built-in) needs to be ordered seperately.

Full flexibility in the way of arranging a bath rim combination; whereas the bath spout and hand shower are wall-mounted, the wireless Digital Controller and Diverter can be placed either on the wall or on the bathtub rim. For comfort, it is recommended to locate the Digital Controller at the "head" of the bathtub, so that it can be reached easily when taking a bath. The Digital Diverter should be located close to the hand shower, either on the wall or on the bathtub rim.

THM-Box 3 measures 135 x 370 x 72 mm (WxHxD), therefore a minimum size of WxHxD 350 x 550 x 100 mm for the revision opening is recommended.

 <p>13 242 000 Veris F-digital</p>	 <p>36 289 000</p>	 <p>27 188 000</p>  <p>27 190 000</p>	 <p>27 184 000</p>	 <p>28 364 000</p>
 <p>13 335 000 Allure F-digital</p>	 <p>36 344 000</p>	 <p>27 075 000</p>  <p>36 349 000</p>	 <p>28 034 000</p>	 <p>65 790 000</p>



# GROHE F-DIGITAL BATH TUB WITH FLOORSTANDING BATH SPOUT, HEAD- AND HAND SHOWER

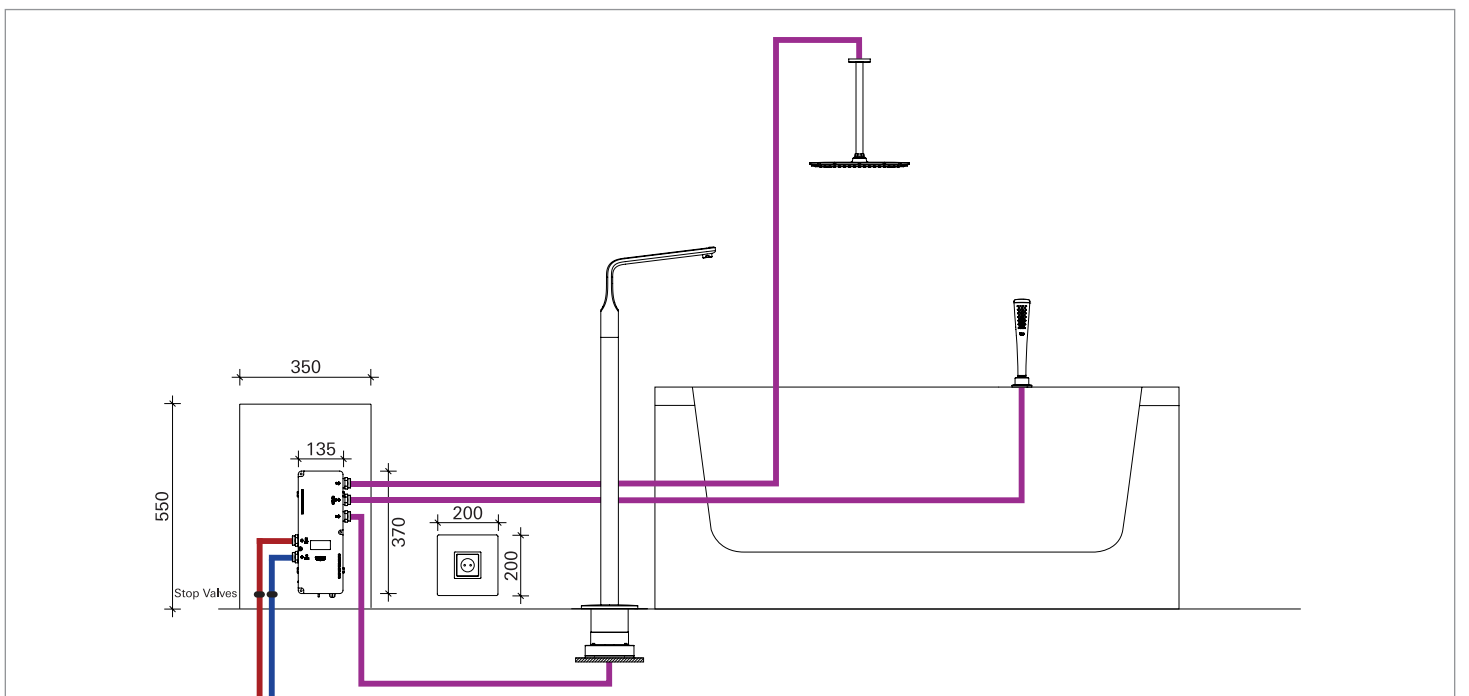
In small and medium-sized bathrooms, where there is often not enough space for a separate shower area and bathtub, GROHE F-digital provides a stylish integrated solution. The bath filler is combined with a head shower and hand shower to create a bathing environment which benefits from a multi-function shower, while appearing more spacious.

## VARIANT SPECIFIC PLANNING & INSTALLATION DETAILS

This three function bath application is controlled by the concealed Digital Thermostatic Mixing unit with three outlets (THM-Box 3), the Digital Controller and Digital Diverter. The power supply (6V plug or 6V built-in) needs to be ordered separately. Depending on the customer's shower and bath habits the arrangement of the Digital Controller and Digital Diverter can be positioned accordingly. With the Digital Diverter being located at the entry area of the bathtub the customer can choose between bath or shower application without actually entering the bathtub.

THM-Box 3 measures 135 x 370 x 72 mm (WxHxD), therefore a minimum size of WxHxD 350 x 550 x 100 mm for the revision opening is recommended.

<p>13 245 000 Veris F-digital</p>	<p>27 470 000</p>	<p>28 497 000</p>	<p>27 532 000</p>	<p>36 289 000</p>	
<p>13 218 000 Allure F-digital</p>	<p>27 711 000</p> <p>27 271 000</p>	<p>28 034 000</p>	<p>27 930 000</p>	<p>36 344 000</p>	<p>45 984 000</p> <p>65 790 000</p>



# GROHE F-DIGITAL BATH TUB WITH TALENTOFILL, BATH SPOUT AND HAND SHOWER

Fill extra-large bathtubs twice as fast with GROHE F-digital. By installing a Talentofill bath filler and a bath spout, it is possible to fill the bathtub using two outlets at the same time. This multiple function bath combination also includes a hand shower.

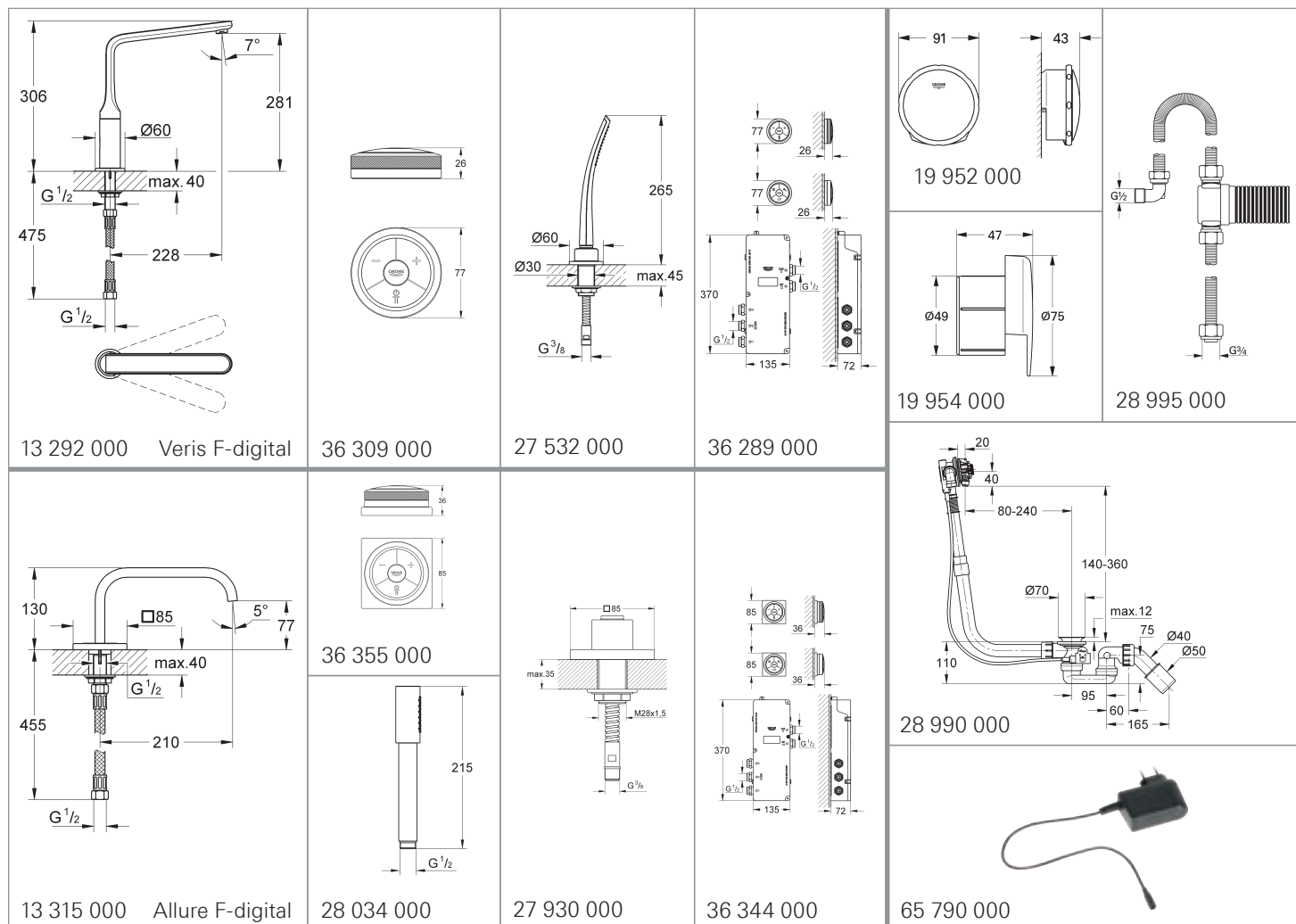
## VARIANT SPECIFIC PLANNING & INSTALLATION DETAILS

This three function bath application is controlled by the concealed Digital Thermostatic Mixing unit with three outlets (THM-Box 3), the Digital Controller and Digital Diverter. The power supply (6V plug or 6V built-in) needs to be ordered separately.

The bath spout and hand shower lead through are mounted on the bathtub rim. The Digital Controller and Digital Diverter can be fixed in any position that is most convenient for the user. A second Digital Controller (36 309 000) can be connected to the same THM -Box 3 – giving even more planning flexibility. Locate it at the entrance to the bath tub, enabling the user to turn on the water without entering the bath tub.

The arrangement of the components can be chosen to meet the needs of the user. It is recommended to place the Digital Diverter close to the hand shower lead through.

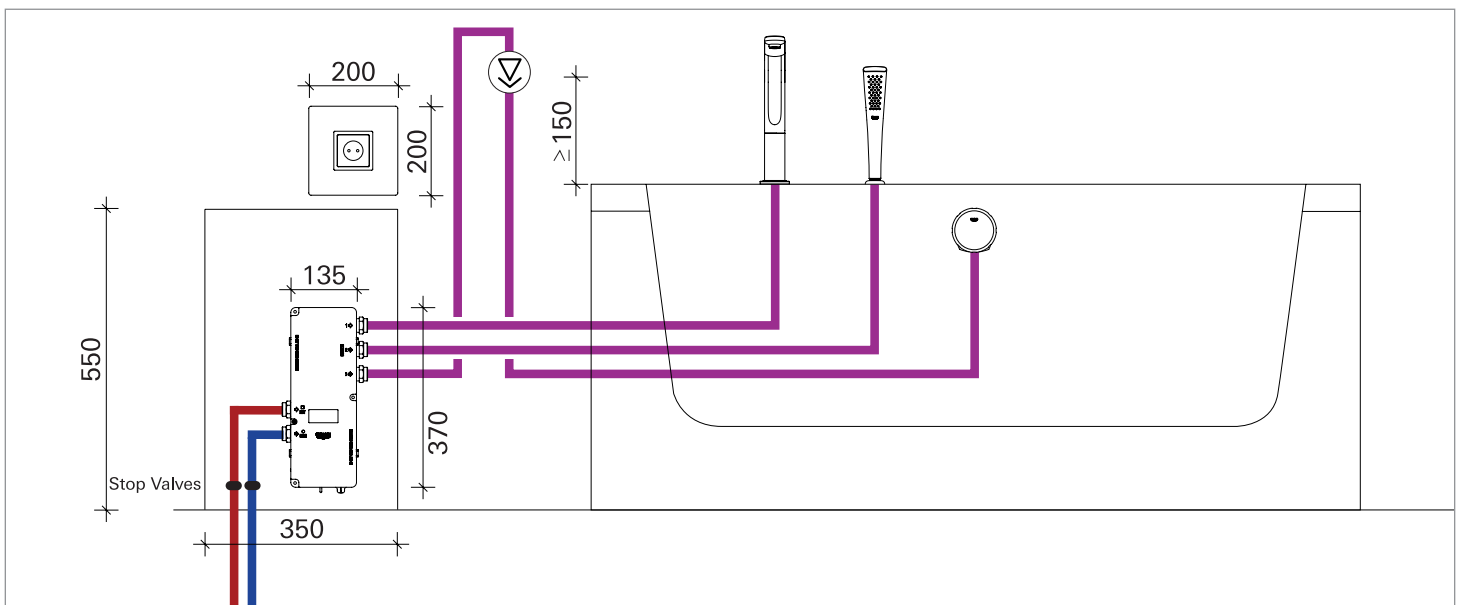
THM-Box 3 measures 135 x 370 x 72 mm (WxHxD), therefore a minimum size of WxHxD 350 x 550 x 100 mm for the revision opening is recommended.







⚠ Installation of Talentofill requires anti-vacuum device as illustrated below.



# ENJOY FLEXIBILITY SHOWER SOLUTIONS





# GROHE F-DIGITAL THERMOSTATIC SOLUTIONS FOR THE SHOWER



## TIPS FOR PLANNING & INSTALLATION

For shower installations with a single shower you will need a concealed Digital Thermostatic Mixing unit with one water outlet (THM-Box 1) and a Digital Controller.

For shower installations with two or three shower combinations (e.g. a hand shower, a head shower and side showers) you will need a concealed Digital Thermostatic Mixing unit with three water outlets (THM-Box 3), a Digital Controller and a Digital Diverter.

The Digital Controller/Digital Diverter should be fixed to a surface to ensure easy operation. Both are battery powered: 3x CR2450 (3V).

The THM-Box 1/THM-Box 3 must be installed in a dry and frost protected area.

Appropriate revision openings for the THM-Box can be located within the facing of on-the-wall type installation.

In cases where on-the-wall installation is not feasible, appropriate revision openings need to be integrated within the existing construction wall. This type of installation can only be recommended for walls of min. 16 cm thickness. The revision opening can also be planned or realised within the wall of neighbouring rooms.

The THM-Box includes a transceiver device (Gateway) which is connected to the box by a 3 m cable. It is used to ensure optimum communication between the Digital Controller/Digital Diverter and the THM-Box. The distance between the Gateway and the Digital Controller/Digital Diverter should not be more than 5 m (maximum range). The Gateway can either be installed in a separate revision opening or together with the thermostatic digital mixer unit.

The housing of the THM-Box is not waterproof. To avoid damage to the building structure by leaking water or water spilled during maintenance work, the revision floor should have a seal of 10cm height around its perimeter. Alternatively, a drainage connection may also be considered.

The THM-Box can be mounted in any position (e.g. turned by 90° or 180°), as long as the cover is easily accessible. It can be connected either with a 6V plug (65 790 000) or with a 6V built-in (36 078 000) power supply. The 6V plug requires a 230V socket. The appliance must be provided with a dedicated circuit secured by a ground fault circuit breaker. For safety reasons, the THM-Box should not be positioned in the same area as the power supply. Both power supplies should not be positioned within the area of the THM-Box.

Both THM-Boxes come with a 40 cm power cable. A 3 m extension cable (47 727 000) is available as an addition. Further extension beyond 6 m is not recommended due to technical reasons. This should be considered in the positioning of the power outlet.

# GROHE F-DIGITAL SHOWER AREA WITH SHOWER RAIL SET

Shower rails sets are an easy-to-install solution, which enables the user to benefit from the luxury of digital showering without having to completely renovate their bathroom.

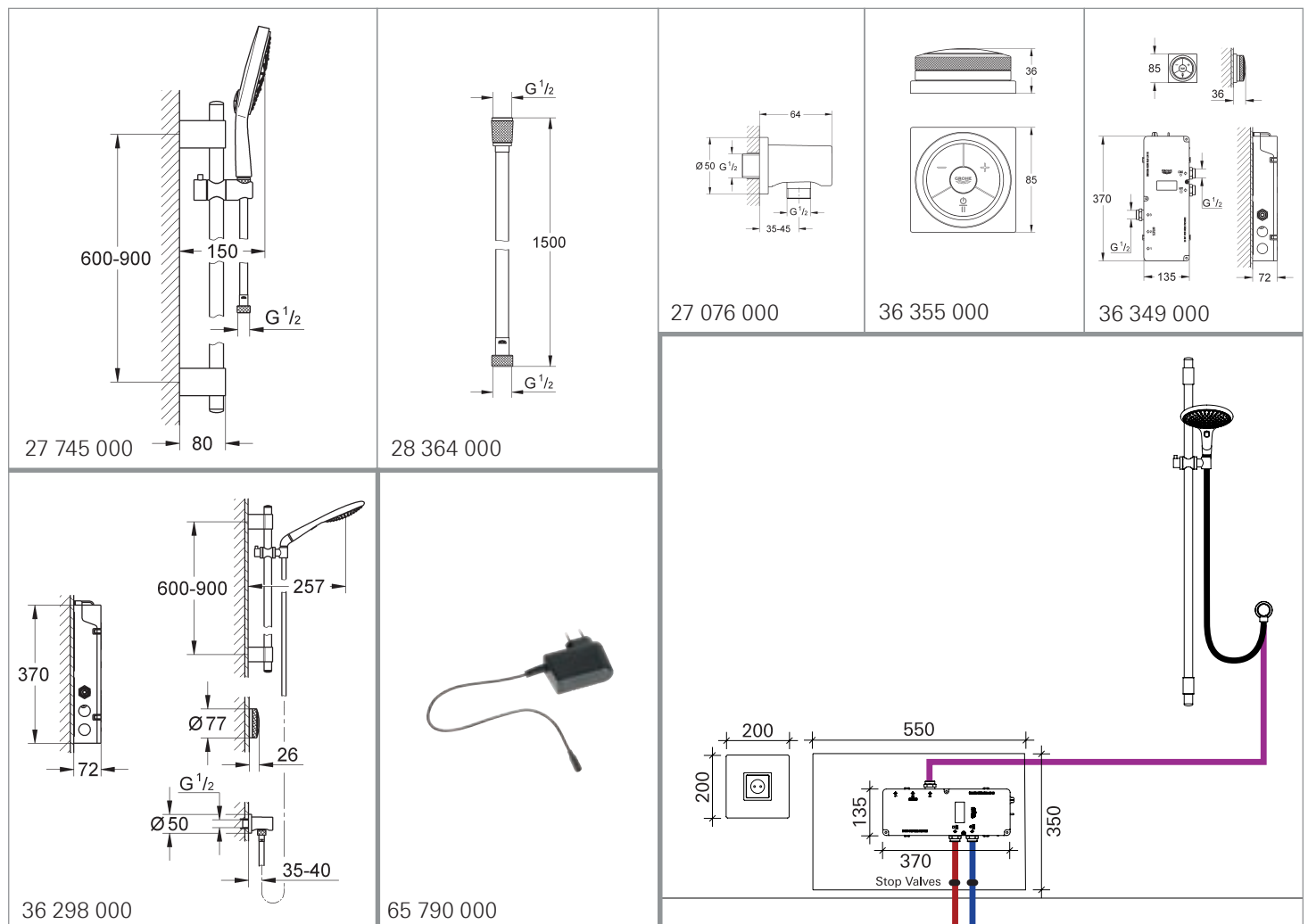
With the standard rail set, the water pipe is concealed behind the wall and attached to the shower hose via the shower elbow. In the second type of installation, the water travels inside ceiling mounted shower rail to the shower. The top of the rail is connected to the outlet of the digital thermostatic mixing unit and the shower hose is connected to the bottom of the rail. This type of installation is ideal if there is an attic space above the bathroom.

## VARIANT SPECIFIC PLANNING & INSTALLATION DETAILS

This single function shower application is controlled by the concealed Digital Thermostatic Mixing unit with one outlet THM-Box and the Digital Controller. The power supply (6V plug or 6V built-in) needs to be ordered separately.

Due to wireless technology, the Digital Controller can be mounted at any height. The shower area can be arranged to meet the needs of disabled or elderly users. To start the shower from outside, an additional controller (36 309 000) can be located at the entrance to the shower area.

THM-Box 1 measures 135 x 370 x 72 mm (WxHxD). A minimum size of WxHxD 350 x 550 x 100 mm for the revision opening is recommended.





# GROHE F-DIGITAL SHOWER AREA WITH HEAD SHOWER AND HAND SHOWER

GROHE F-digital takes the popular combination of an integrated head shower and hand shower to a new level of user convenience. Inside the shower area, the Digital Controller and Diverter are fixed in a convenient position for the user. A second Digital Controller is fixed at the entrance to the shower, enabling the user to turn on the water without getting wet and benefit from the 'Warm up' mode.

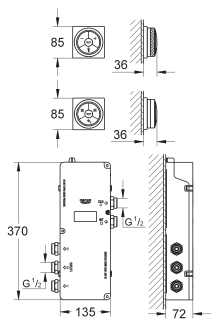
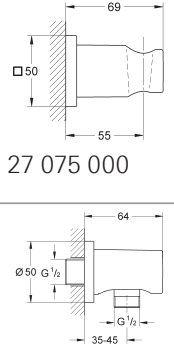
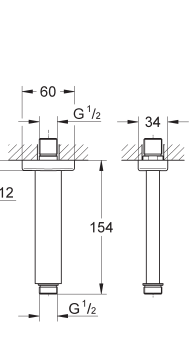
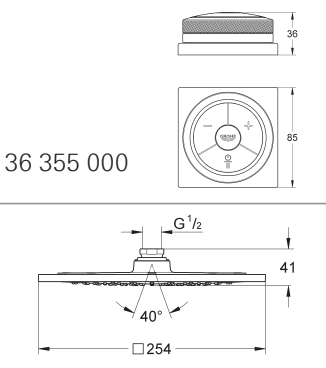
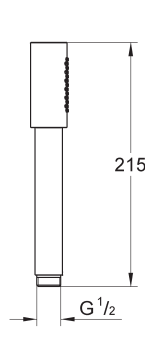
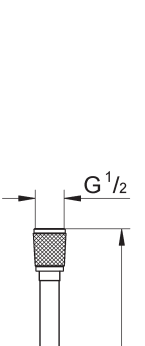
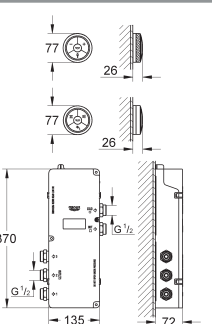
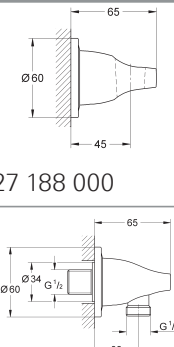
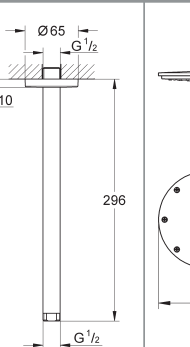
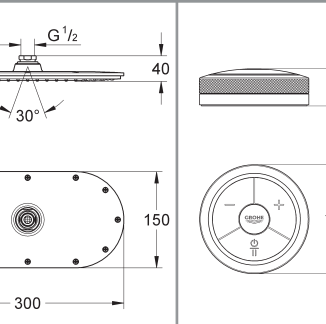
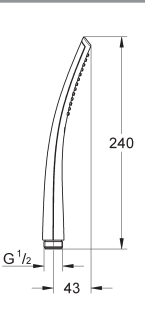
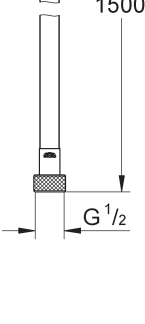

## VARIANT SPECIFIC PLANNING & INSTALLATION DETAILS

This two function shower application is controlled by the concealed Digital Thermostatic Mixing unit with three outlets (THM-Box 3), the Digital Controller and a Digital Diverter. The power supply (6V plug or 6V built-in) needs to be ordered separately.

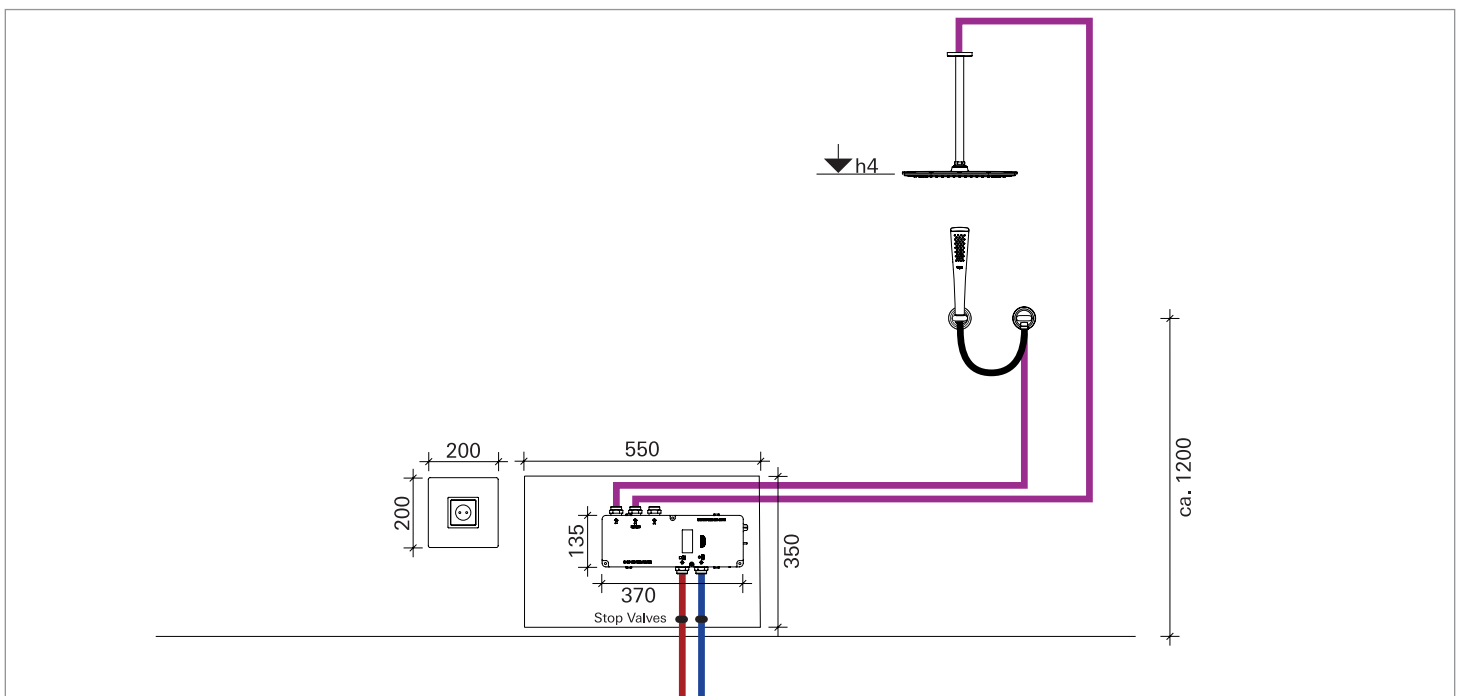
Both the wireless Digital Controller and the Digital Diverter can be mounted at any height. They do not need to be placed next to each other. The fixing positions can be planned according to the customers needs (recommended installation height for showers can be found on page 71).

To start the shower from outside without getting wet, an additional Digital Controller (36 309 000) can be placed at the entrance to the shower area.

THM-Box 3 measures 135 x 370 x 72 mm (WxHxD). A minimum size of WxHxD 350 x 550 x 100 mm for the revision opening is recommended.

 <p>36 352 000 Allure F-digital</p>	 <p>27 075 000 27 076 000</p>	 <p>27 711 000</p>	 <p>36 355 000 27 271 000</p>	 <p>28 034 000</p>	
 <p>36 295 000 Veris F-digital</p>	 <p>27 188 000 27 190 000</p>	 <p>28 497 000</p>	 <p>27 470 000</p>	 <p>36 309 000 27 184 000</p>	 <p>28 364 000</p>
 <p>65 790 000</p>					





# GROHE F-DIGITAL SHOWER AREA WITH HEAD SHOWER, HAND SHOWER AND SIDE SHOWERS

Design and plan the ultimate custom shower experience for your clients. Featuring a head shower, hand shower and side showers, this multiple function shower combination transforms the bathroom into luxurious home spa. As with all GROHE F-digital bathtub and shower solutions, our advanced thermostat technology ensures the perfect water temperature, every time.

## VARIANT SPECIFIC PLANNING & INSTALLATION DETAILS

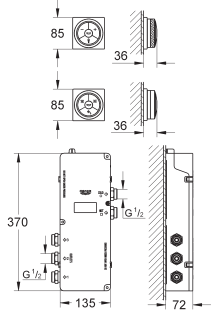
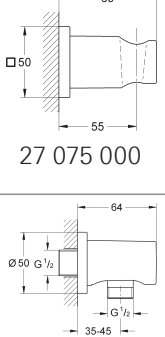
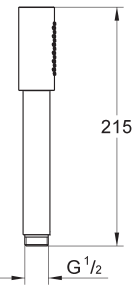
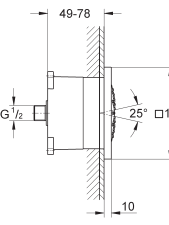
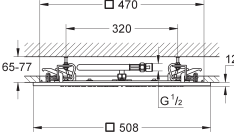
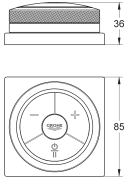
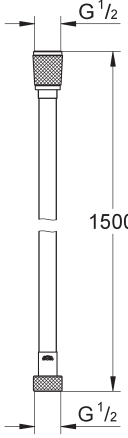
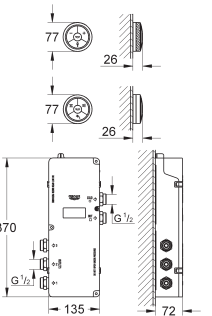
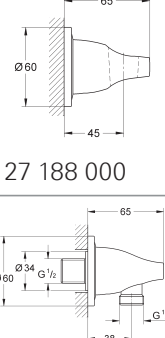
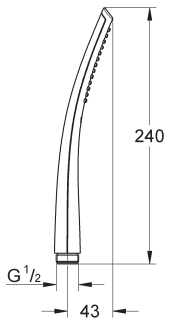
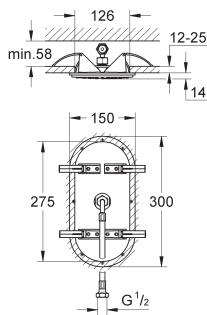
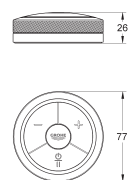

This three function shower application is controlled by the concealed Digital Thermostatic Mixing unit with three outlets (THM-Box 3), the Digital Controller and Digital Diverter. The power supply (6V plug or 6V built-in) needs to be ordered separately.

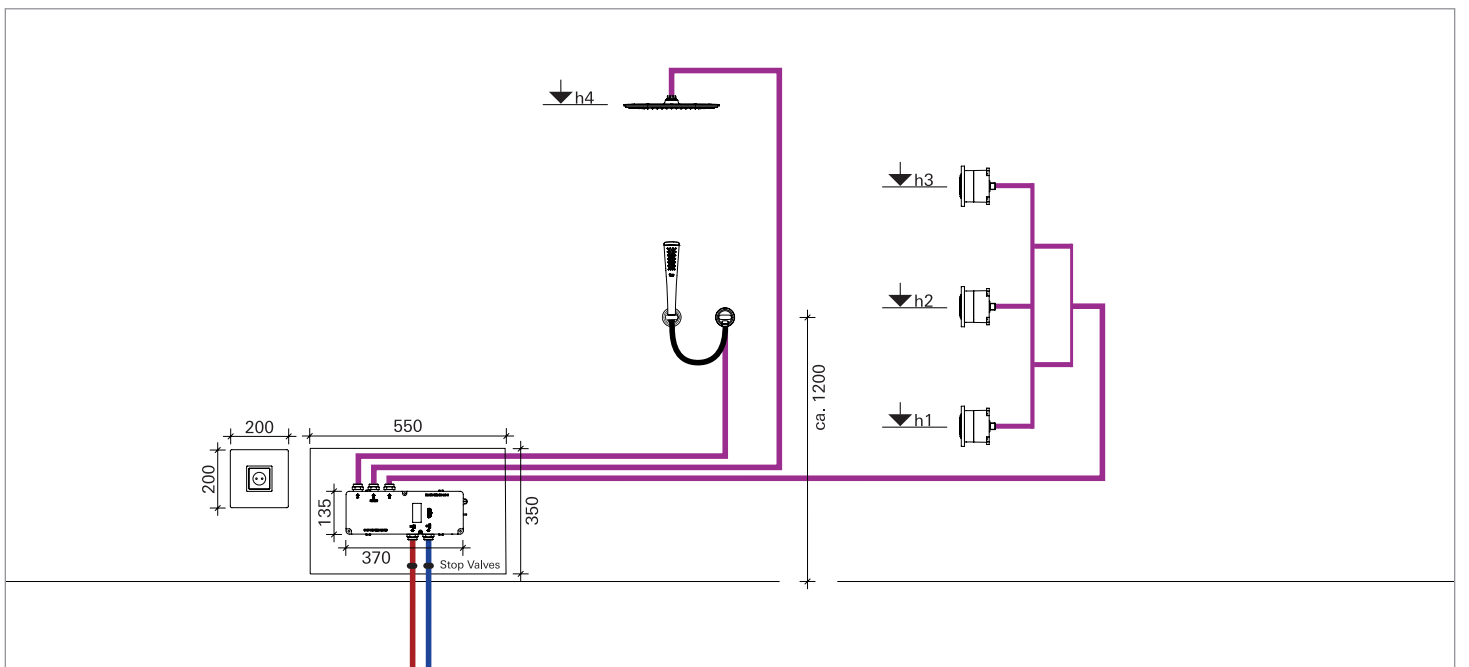
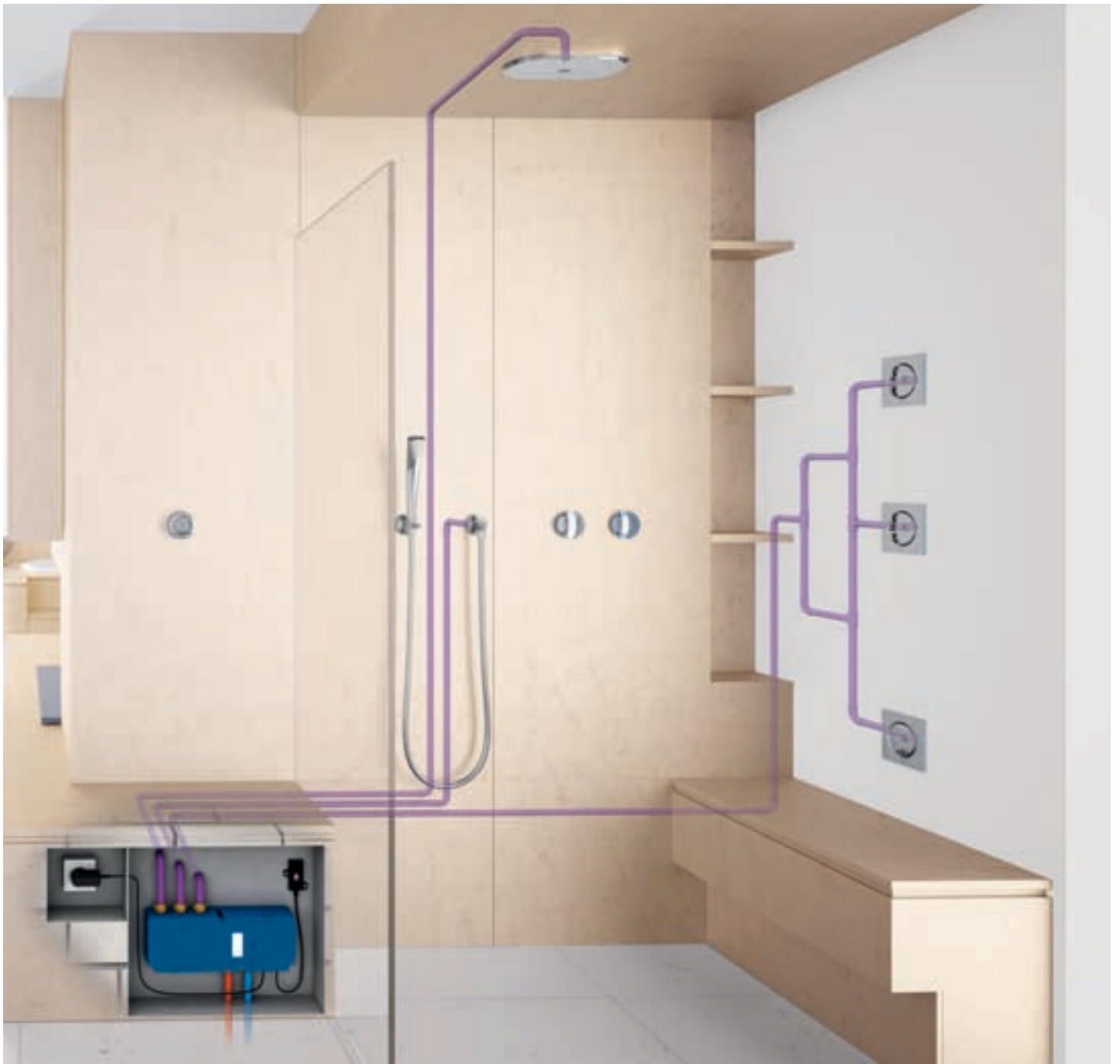
Both the wireless Digital Controller and the Digital Diverter can be mounted in any position. They do not need to be placed next to each other.

For optimal fixing height of the head shower, hand shower and side showers, please refer to the installation heights shown on page 71.

With an additional Digital Controller (36 309 000) located outside the shower area, the shower can be switched on without stepping in.

THM-Box 3 measures 135 x 370 x 72 mm (WxHxD). A minimum size of WxHxD 350 x 550 x 100 mm for the revision opening is recommended.

 <p>36 352 000 Allure F-digital</p>	 <p>27 075 000</p>	 <p>28 034 000</p>	 <p>27 251 000</p>	 <p>27 286 000</p>	 <p>36 355 000</p>	
 <p>36 295 000 Veris F-digital</p>	 <p>27 188 000</p>	 <p>27 184 000</p>	 <p>27 861 000</p>	 <p>36 309 000</p>	<p>28 364 000</p>	
 <p>65 790 000</p>						



# GROHE F-DIGITAL INTEGRATED SHOWER & BATH AREA WITH HEAD SHOWER, HAND SHOWER AND BATH SPOUT

When the bathtub and shower area are located close to one another, it is possible to use a single Digital Thermostatic Mixing Unit with three outlets to supply the water to both the bathtub and the shower. This solution is a perfect example of the planning flexibility of GROHE F-digital. It also requires less installation effort as only one box needs to be installed to manage the shower and the bathtub.

## VARIANT SPECIFIC PLANNING & INSTALLATION DETAILS

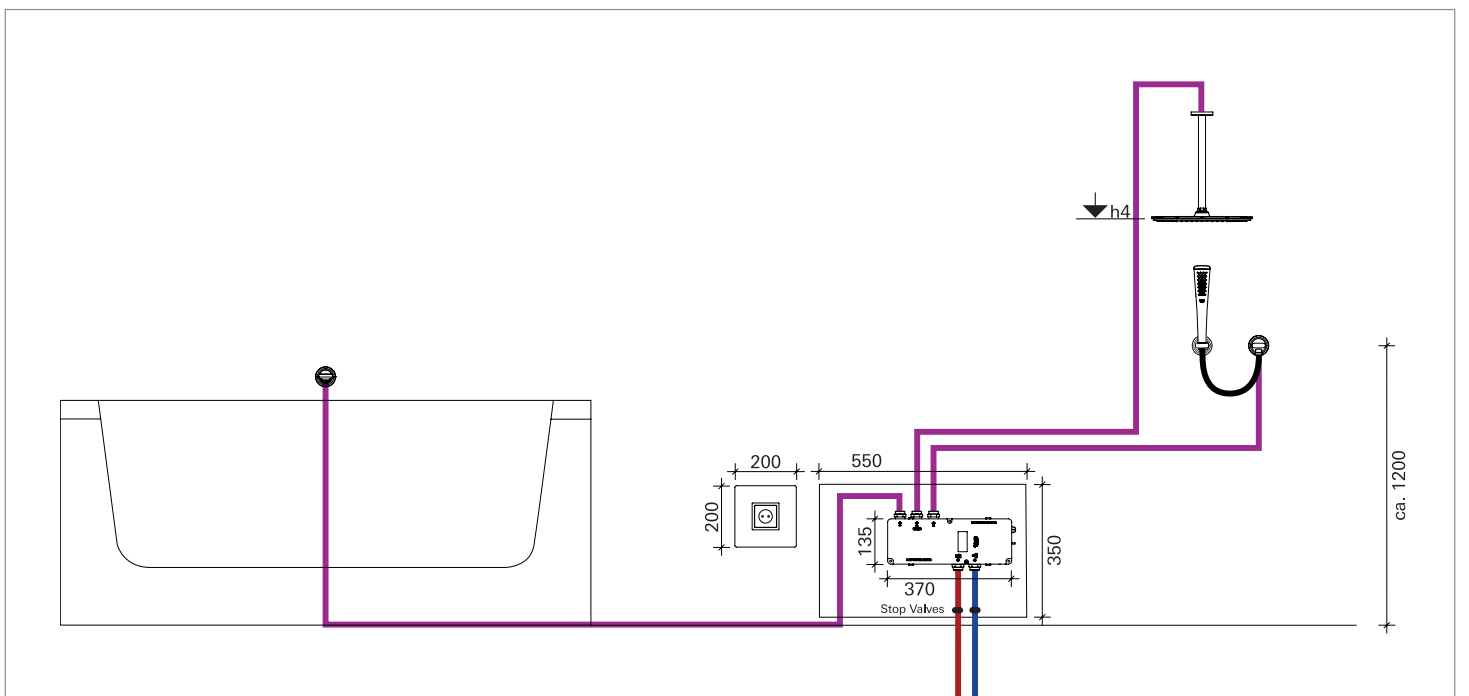
This three function shower and bathtub application is controlled by the concealed Digital Thermostatic Mixing unit with three outlets (THM-Box 3), the Digital Controller and Digital Diverter. The perfect solution if the shower area is planned right next to the bath tub. The power supply (6V plug or 6V built-in) needs to be ordered separately.

Both the shower area and the bathtub can be supplied by the same Digital Thermostatic Mixing unit with three outlets (THM-Box 3). One outlet is connected to the bath spout, the other two outlets supply the head shower and the hand shower. The Digital Diverter should be mounted in the area between the bathtub and shower area as it is used to switch between shower and bath application. By installing the hand shower also in that area it could be used over the bathtub and in the shower area.

Two Digital Controllers are recommended – one fixed at the bathtub to control the bath filling, the other within the shower area to adjust temperature and water flow while taking a shower.

THM-Box 3 measures 135 x 370 x 72 mm (WxHxD). A minimum size of WxHxD 350 x 550 x 100 mm for the revision opening is recommended.

<p>36 344 000 Allure F-digital</p>	<p>27 075 000</p>	<p>36 355 000</p>	<p>28 034 000</p>	<p>13 335 000</p>	<p>27 711 000</p>	<p>28 364 000</p>
<p>36 289 000 Veris F-digital</p>	<p>27 188 000</p>	<p>36 309 000</p>	<p>27 184 000</p>	<p>27 470 000</p>	<p>28 497 000</p>	<p>28 364 000</p>
<p>65 790 000</p>						



# ENJOY FLEXIBILITY WC & BIDET SOLUTIONS





# GROHE F-DIGITAL SOLUTIONS FOR WC / BIDET

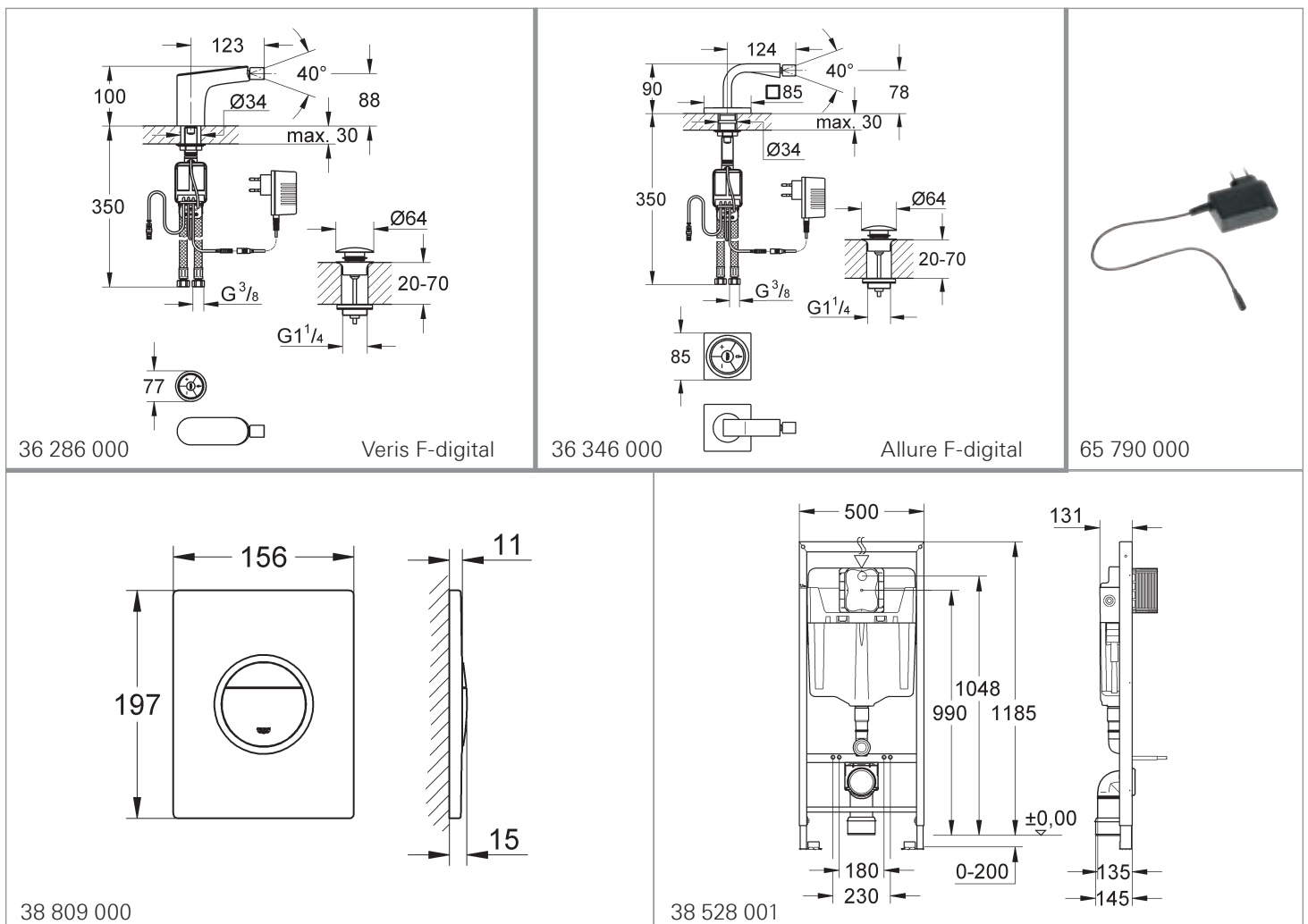
With GROHE F-digital and Nova Light flush actuation plate, integrating digital technology throughout the bathroom has never been easier. The Rapid SL bidet and WC frames are installed in front of the wall to safely and securely fix the wall-hung basin and bidet. The Nova Light flush plate, featuring LED technology coordinates perfectly with the digitally-controlled bidet faucet.

## TIPS FOR PLANNING INSTALLATION

The recommendations already mentioned in the digital wash basin chapter (page 17) also apply to the planning and installation of the digital bidet mixer.

The bidet solution comprises: Digital Controller, Digital Twin Valve Mixing unit (TVM), faucet spout and 6V plug power supply.

The TVM is mounted to the threaded bolt of the deck-mounted bidet spout. Due to its compact size, it easily fits underneath the ceramic.



36 286 000

Veris F-digital

36 346 000

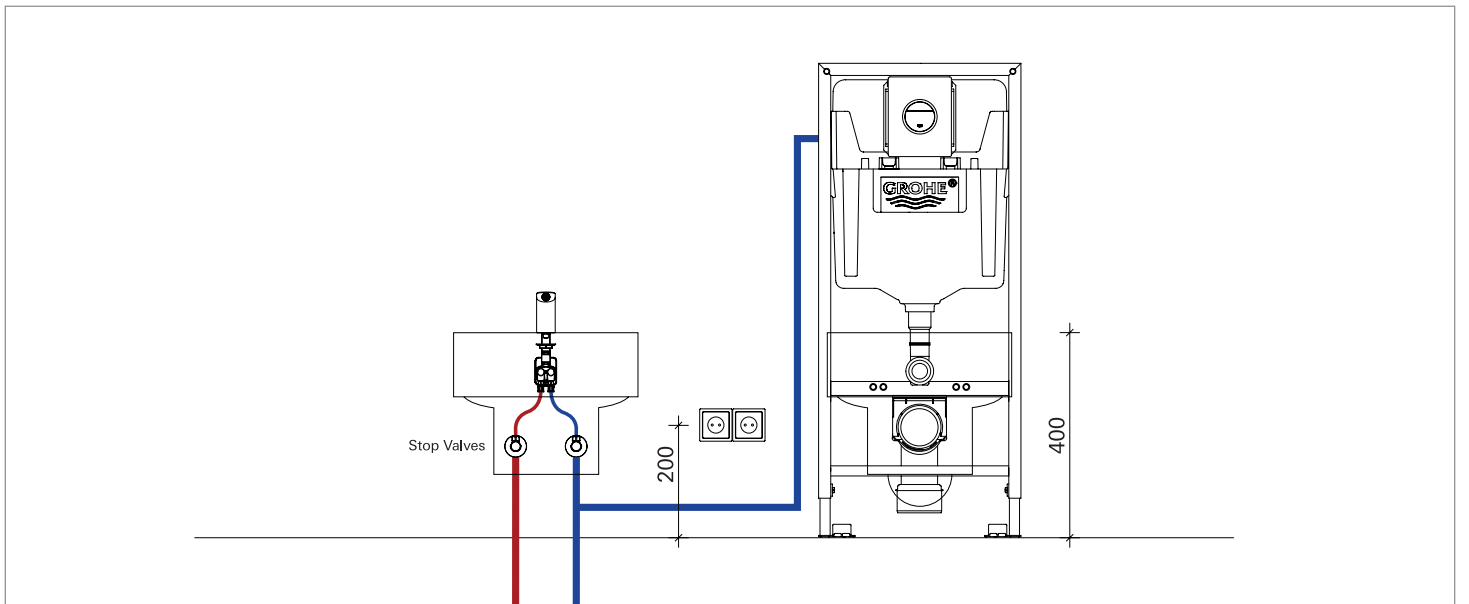
Allure F-digital

65 790 000

38 809 000

38 528 001





# ENJOY FLEXIBILITY KITCHEN SOLUTIONS





# GROHE F-DIGITAL SOLUTIONS FOR THE KITCHEN

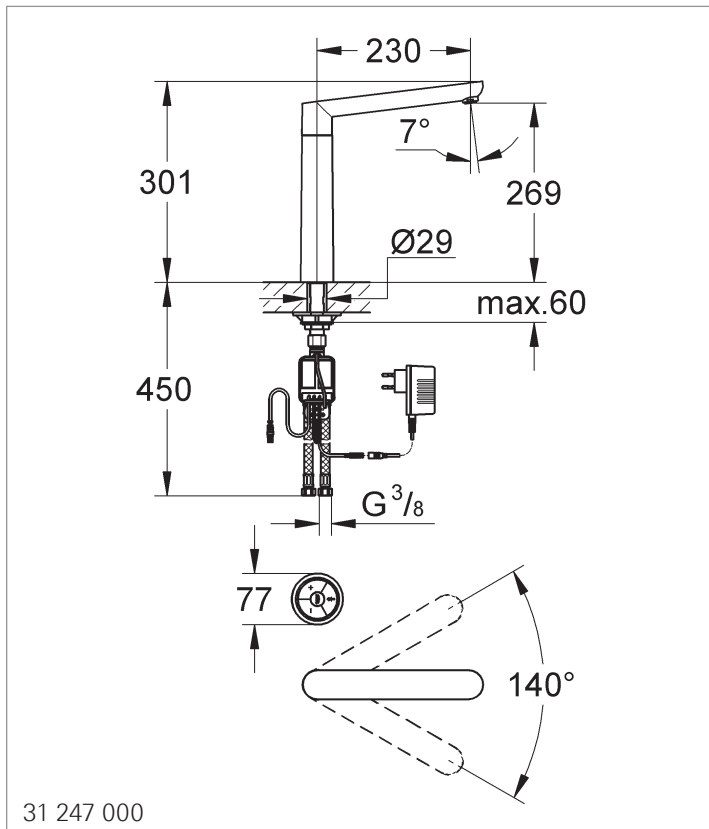
GROHE K7 F-digital the collection brings the style and convenience of digital operation to the kitchen. For the kitchen, a deck-mounted faucet spout is combined with the Digital Controller. Featuring the same technology and functionality as the bathroom elements, the Digital Controller can be positioned towards the front of the sink area for additional comfort.

## GENERAL TIPS FOR PLANNING INSTALLATION

The recommendations already mentioned within the digital wash basin chapter (page 17) also apply to the planning and installation of K7 F-digital.

The kitchen solution comprises: Digital Controller, Digital Twin Valve Mixing unit (TVM) and kitchen faucet spout. The power supply (6V plug or 6V built-in) needs to be ordered separately.

The TVM is mounted to the threaded bolt of the deck-mounted kitchen faucet spout. Due to its compact size, it can be easily installed underneath the sink.



31 247 000



65 790 000














ENJOY  
GROHE F-DIGITAL  
SHOWROOM  
SOLUTIONS



# GROHE VERIS F-DIGITAL SOLUTIONS FOR THE SHOWROOM










Special showroom displays with demonstration software have been developed to illustrate the key benefits of GROHE F-digital to potential customers.







GROHE Rainshower® F-digital				
SHOWER		<b>18 462 000</b> Digital Bath/Shower Controller Dummy Demo software, without mixing unit		<b>27 273 001</b> GROHE Rainshower® F-digital Railset
		<b>27 057 000</b> GROHE Rainshower® Outlet elbow Dummy		
	GROHE Veris F-digital			
		<b>18 463 000</b> Digital Controller & Shower Diverter Dummy Demo software, without mixing unit		<b>27 470 000</b> GROHE Veris Head shower
		<b>18 325 000</b> GROHE Rainshower® F-Series Side shower Dummy		<b>27 184 000</b> GROHE Ondus® Hand shower
		<b>27 190 000</b> GROHE Ondus® Outlet elbow		<b>27 188 000</b> GROHE Ondus® Shower holder



		GROHE Veris F-digital		
BATH		<b>18 534 000</b> Digital Controller & Bath Diverter Dummy Demo software, without mixing unit		<b>13 245 000</b> GROHE Veris Bath spout floor mounted
		<b>18 462 000</b> Digital Bath/Shower Controller Dummy Demo software, without mixing unit		
		<b>27 532 000</b> GROHE Ondus® Extractable hand shower with integrated shower hose and support		<b>18 318 000</b> Installation set for showrooms
	<b>13 292 000</b> GROHE Veris Bath spout deck mounted			
BASIN		<b>18 464 000</b> GROHE Veris F-digital Basin mixer Dummy Demo software, without mixing unit		
		GROHE K7 F-digital		
KITCHEN		<b>18 539 000</b> GROHE K7 F-digital Sink mixer Dummy Demo software, without mixing unit		

# GROHE ALLURE F-DIGITAL SOLUTIONS FOR THE SHOWROOM

SHOWER	<b>GROHE Rainshower® F-digital</b>			
		<b>18 462 000</b> Digital Bath/Shower Controller Dummy Demo software, without mixing unit		<b>27 273 001</b> GROHE Rainshower® F-digital Railset
		<b>27 057 000</b> GROHE Rainshower® Outlet elbow Dummy		
	<b>GROHE Allure F-digital</b>			
		<b>18 531 000</b> Digital Controller & Shower Diverter Dummy Demo software, without mixing unit		<b>27 271 000</b> GROHE Rainshower® F-Series Head shower
		<b>18 325 000</b> GROHE Rainshower® F-Series Side shower Dummy		<b>28 034 000</b> GROHE Sena Hand shower
	<b>27 076 000</b> GROHE Rainshower® Outlet elbow		<b>27 075 000</b> GROHE Rainshower® Shower holder	

GROHE Allure F-digital				
BATH		<b>18 532 000</b> Digital Controller & Bath Diverter Dummy Demo software, without mixing unit		<b>13 218 000</b> GROHE Allure Bath spout floor mounted
		<b>18 530 000</b> Digital Bath/Shower Controller Dummy Demo software, without mixing unit		
		<b>27 930 000</b> GROHE Allure F-digital Led-through for pull-out showers  <b>28 034 000</b> GROHE Sena Hand shower		<b>18 318 000</b> Installation set for showrooms
	<b>13 315 000</b> GROHE Allure F-digital Bath spout deck mounted			
BASIN		<b>18 533 000</b> GROHE Allure F-digital Basin mixer Dummy Demo software, without mixing unit		
GROHE K7 F-digital				
KITCHEN		<b>18 539 000</b> GROHE K7 F-digital Sink mixer Dummy Demo software, without mixing unit		

# ENJOY FLEXIBILITY GROHE F-DIGITAL





# GROHE VERIS F-DIGITAL

Bathroom design and planning without compromise is now a reality with GROHE Veris F-digital. The modular concept and wireless operation of the Digital Controller and Digital Diverter offer limitless layout arrangements; each designed to meet the specific needs of your clients.



GROHE Digital®



GROHE EcoJoy®



GROHE TurboStat®



GROHE CoolTouch®



GROHE DreamSpray®

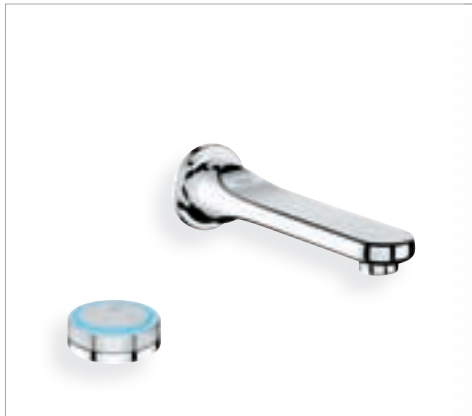


GROHE StarLight®

**GROHE features:**  
Invisible Fastening System  
HandCrafted  
ExtensiveRange  
ErgoTouch  
SwivelStop



**36 277 000** 1 2 3 4 5 6 7  
 Digital basin mixer  
 with Digital Controller  
 incl. TVM



**36 278 000** 1 2 3 4 5 6 7  
 Digital basin mixer  
 wall mounted  
 with Digital Controller  
 incl. TVM



**36 286 000** 1 2 3 4 5 6 7  
 Digital bidet mixer  
 with Digital Controller  
 incl. TVM



**36 292 000** 2 3 4 5 7  
 Digital Bath/Shower Controller  
 incl. THM-Box 1  
**36 309 000** 2 3 4 5 7  
 Remote Controller



**36 289 000** 2 3 4 5 7  
 Digital Controller & Bath Diverter  
 incl. THM-Box 3  
**36 295 000** 2 3 4 5 7  
 Digital Controller & Shower Diverter  
 incl. THM-Box 3



**40 479 000 + 36 289 000** 2 3 4 5 7  
 Holder Plate + Digital Controller & Bath Diverter  
**40 479 000 + 36 295 000** 2 3 4 5 7  
 Holder Plate + Digital Controller & Shower Diverter



# GROHE VERIS F-DIGITAL



**13 245 000** 2345  
GROHE Veris  
Bath spout  
floor mounted



**13 242 000** 2345  
GROHE Veris  
Bath spout



**19 952 000**  
Talentofill



**13 292 000** 2345  
GROHE Veris  
Bath spout  
deck mounted



**27 532 000**  
GROHE Veris  
Extractable hand shower  
with integrated shower hose and support





**27 193 000 1**  
Rainshower®  
Jumbo  
Head shower Ø 400 mm



**27 477 000**  
Rainshower®  
Head shower Ø 310 mm  
**27 478 000**  
with 9.4 l/min. flow limiter



**27 251 000 6**  
Rainshower® F-series 5"  
Side shower 127 mm x 127 mm



**27 470 000**  
Rainshower®  
Head shower 300 mm x 150 mm



**27 861 000**  
Rainshower®  
Ceiling shower 300 mm x 150 mm



**27 184 000**  
Hand shower



**27 188 000**  
Hand shower holder



**27 190 000**  
Shower outlet elbow

1



2



3



4



5



6



# GROHE ALLURE F-DIGITAL

Convenient and discreet effortless and intuitive to use. Allure F-digital takes the faucet design in a new direction.

A square base plate gives rise to the circular control – mirroring the same design details that give Allure faucets their modern appeal. Simply turn the product on, twist the outer ring to increase water flow and press the plus or minus to increase or decrease the temperature. To further enhance usability, an LED ring gives visual feedback on the water temperature. And for the bath and shower, the digital diverter lets you switch between water outlets with a single touch.



GROHE Digital®



GROHE EcoJoy®



GROHE StarLight®



GROHE TurboStat®



GROHE CoolTouch®



GROHE DreamSpray®



**36 342 000** 1 2 3 4 5  
Digital basin mixer



**36 343 000** 1 2 3 4 5  
Digital basin mixer  
wall mounted



**36 346 000** 1 2 3 4 5  
Digital bidet mixer



**36 349 000** 1 2 3 4 5  
Digital Bath/Shower Controller  
**36 355 000** 1 2 3 4 5  
Remote Controller



**36 344 000** 1 2 3 4 5  
Digital Controller & Bath Diverter  
**36 352 000** 1 2 3 4 5  
Digital Controller & Shower Diverter



**40 548 000 + 36 289 000** 1 2 3 4 5  
Holder Plate +  
Digital Controller & Bath Diverter  
**40 548 000 + 36 295 000** 1 2 3 4 5  
Holder Plate +  
Digital Controller & Shower Diverter

1



2



3



4



5



# GROHE ALLURE F-DIGITAL



**13 335 000**  
Bath spout



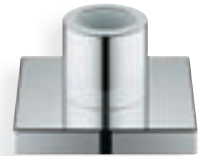
**19 952 000**  
Talentofill



**13 218 000**  
Bath spout  
floor mounted



**13 315 000**  
Bath spout  
deck mounted



**27 930 000**  
Shower support with integrated hose



**27 076 000**  
Shower outlet elbow



**27 075 000**  
Hand shower holder



GROHE Digital®



GROHE EcoJoy®



GROHE StarLight®



GROHE TurboStat®



GROHE CoolTouch®



GROHE DreamSpray®



**28 034 000**  
Hand shower



**27 709 000**  
Rainshower® shower arm  
Projection 286mm  
**27 710 000**  
Connection thread 1/2" NPT



**27 711 000**  
Rainshower® ceiling shower arm  
Length 142mm  
**27 712 000**  
Connection thread 1/2" NPT



**27 251 000 4**  
Rainshower® F-series 5"  
side shower 127 mm x 127 mm



**27 271 000**  
Rainshower® F-series 10"  
head shower 254 mm x 254 mm



**27 467 000**  
Rainshower® F-series 10"  
ceiling shower 254 mm x 254 mm



**27 253 000**  
Rainshower® F-series 5"  
head shower 127 mm x 127 mm  
wall mounted



**27 286 000 4**  
Rainshower® F-series 20"  
ceiling shower 508 mm x 508 mm

1



2



3



4



5



6



# GROHE F-DIGITAL SHOWER BUNDLES

The easy-to-install shower bundles consist of the Digital Controller, the Digital Thermostatic Mixing unit, the shower railset and the shower connection elbow.



**36 299 000** 1 2 3 4 5 6 7  
Euphoria F-digital Mono shower set  
with Digital Controller  
incl. THM-Box 1



**36 306 000** 1 2 3 4 5 6 7  
Euphoria F-digital Mono shower set  
with Digital Controller  
incl. THM-Box 1  
with telescopic pipe for ceiling supply



**36 298 000** 2 3 4 6 7  
Rainshower® F-digital shower set  
with Digital Controller  
incl. THM-Box 1



GROHE Digital®



GROHE EcoJoy®



GROHE CoolTouch®



GROHE DreamSpray®



GROHE StarLight®

**GROHE features:**  
EcoButton  
SpeedClean  
Twistfree



**36 305 000** 1 2 3 4 5 6 7  
 Rainshower® F-digital shower set  
 with Digital Controller  
 incl. THM-Box 1  
 with telescopic pipe for ceiling supply



**36 356 000**  
 Gateway  
 (optional for TVM box)



**65 790 000**  
 Power supply



**47 727 000**  
 Extension cable



**36 078 000**  
 Power supply







# GROHE K7 F-DIGITAL

Style, functionality and ergonomics. K7 F-digital transform the kitchen sink into a high-tech work zone by pairing a striking L-shaped spout with a wireless digital controller, which can be positioned anywhere around the sink area. Just press the on/off button to start the water and use the plus (+) and minus (-) buttons to adjust the temperature. To increase or decrease the flow simply turn the dial around the outside of the controller – the GROHE ProGrip surface ensures precise operation, even with wet or greasy hands.

To facilitate product specification, K7 F-digital comes complete with a digital mixing unit and a Digital Controller.



**31 247 000**  
Digital sink mixer  
with Digital Controller  
incl. TVM

# GROHE TECHNOLOGY BEHIND THE WALL

GROHE F-Digital fuses award-winning design with reliable GROHE technologies. Easy operation with smart features such as warm up mode and memory function. Relax, knowing that the water temperature will always be exactly to your liking - thanks to our best-in-class thermostat technology.

## UNIQUE FEATURES AT THE PUSH OF A BUTTON



### Memory Function

Actual settings are saved and recalled every time the faucet or shower is switched on again.



### Warm-Up Mode

When pre-set temperature is reached water supply stops automatically and the illuminated ring flashes – ready to step into your perfect shower.



### Pause Function

Pause the water flow and restart it with exactly the same flow rate and temperature – saving water and energy e.g. while shampooing.



### SafeStop

Safety lock protects against scalding.

## INNOVATIVE TECHNOLOGIES



### GROHE Digital®

Digital technology for effortless control and outstanding comfort.



### GROHE EcoJoy™

Integrated water-saving technology reduces water and energy consumption without compromising on design, performance and product enjoyment.



### GROHE TurboStat®

Always the right temperature. Reacts instantly to changes in water pressure.



### GROHE StarLight®

A radiant chrome finish that resists soiling and tarnishing for enduring pristine looks.

# THERMAL DISINFECTION

By pressing a button on the Gateway you can set the THM or TVM box to permanent operation mode, which supports thermal disinfection. When in permanent operation mode the mixed water temperature will be set at the maximum, which is determined by the maximum hot water supply temperature at the installation site. The Gateway is included in the delivery of the THM units. For the TVM units (basin, bidet & kitchen), the Gateway can be ordered separately (36 356 000). The Gateway should be installed in an accessible location for maintenance and activation of permanent operation mode. Further details on how to activate the permanent operation mode can be found in the technical product information (TPI).



**36 356 000**  
Gateway

# FLEXIBLE INSTALLATION

## Plug and play

For ease of installation, mixing units are pre-synchronised with the corresponding controller and feature 'plug and play' connections to the water pipes.

## Digital thermostatic mixer

Digital thermostatic mixing units for the bathtub and shower can be located up to 9 m away from the bath or shower fittings, giving you the freedom to plan your bathroom exactly as you wish.

## Digital twin valve mixer

For the basin and bidet, the digital twin valve mixer is small enough to fit beneath the basin.



Digital twin valve mixer - TVM



Digital twin valve mixer - TVM-box



Digital thermostatic mixer with one outlet



Digital thermostatic mixer with three outlets

# INSTALLATION INSTRUCTIONS FOR ACCESSORIES

Basin set	Recommended height*
Mirror	1100 - 1250 mm
Shelf	1150 - 1250 mm
Glass holder	1150 - 1250 mm
Soap dish	950 - 1050 mm
Soap dispenser	950 - 1050 mm
Towel ring	900 - 1000 mm
Towel rail	850 - 950 mm
Basin leading edge	850 mm

WC set	Recommended height*
Toilet roll holder	700 - 800 mm
Spare toilet roll holder	200 - 250 mm
Toilet brush set	200 - 250 mm
from the floor mounting height of WC without lid	400 mm

Bath set	Recommended height*
Towel rail 600/800 mm	1550 - 1750 mm
Robe hook	1550 - 1750 mm
Soap dish	100 - 350 mm **
Soap dispenser	100 - 350 mm **
Grip 300 mm	70 - 150 mm **

Bidet set	Recommended height*
Towel ring	900 - 950 mm
Soap dish	650 - 750 mm

Shower set	Recommended height*
Towel rail 600/800 mm	1550 - 1750 mm
Robe hook	1550 - 1750 mm
Soap dish	1200 - 1500 mm
Soap dispenser	1200 - 1500 mm
Grip 300 mm	1200 - 1500 mm

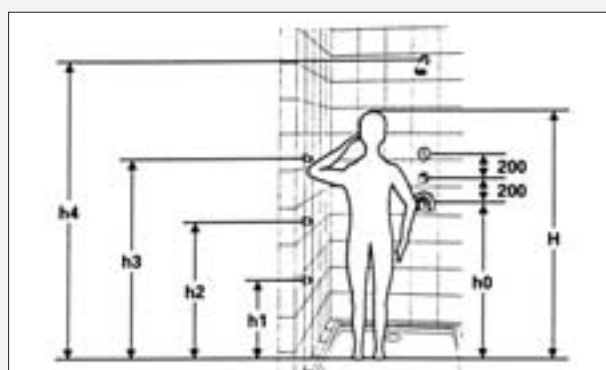


# RECOMMENDED INSTALLATION HEIGHT FOR SHOWERS

Description	Shower installation height (m)					
	H	1,500	1,600	1,700	1,800	1,900
Body height	H	1,500	1,600	1,700	1,800	1,900
Digital Controller / Digital Diverter	h0	1,077	1,136	1,201	1,262	1,324
Head shower	h4	2,003	2,126	2,250	2,373	2,496
Side shower	h3	1,331	1,416	1,502	1,587	1,672
Side shower	h2	1,027	1,089	1,151	1,212	1,274
Side shower	h1	0,573	0,611	0,649	0,688	0,725

H = body height  
 h0 = height of the Digital Controller / Digital Diverter  
 h1 = height of the knee shower  
 h2 = height of the hip shower  
 h3 = height of the shoulder shower  
 h4 = height of the head shower

barrier free installation height of controller / diverter: 1,250 m



Grohe AG  
Feldmühleplatz 15  
40545 Düsseldorf/Germany  
Phone: +49 (0) 211 / 91 30 - 30 00

For more information on our award-winning designs  
go to [www.grohe.com](http://www.grohe.com)

08/2012 - Copyright by GROHE